

DYNAMIC TRIM CONTROL SYSTEM

# SERIES E

## PRODUCT SPECIFICATION



**ZIPWAKE**

CHOOSE COMFORT. ENJOY PERFORMANCE.

**PRODUCT SPECIFICATION**  
DYNAMIC TRIM CONTROL SYSTEM SERIES E

Part number: 1010157  
Release: R2A, November 2022  
Language: English

# TABLE OF CONTENTS

<b>1</b>	<b>INTRODUCTION</b>	<b>4</b>
1.1	MOTION CONTROL FEATURES	
1.2	CONFIGURABLE LIFT FORCE ALLOCATION	
1.3	PRODUCTS AND PARTS OVERVIEW	
<b>2</b>	<b>KIT BOXES</b>	<b>8</b>
2.1	KIT BOX CONTENTS	
2.2	SPECIFICATIONS	
2.3	ORDERING DATA	
<b>3</b>	<b>CONTROL PANEL</b>	<b>10</b>
3.1	FEATURES	
3.2	SPECIFICATIONS	
3.3	INTERFACES	
3.4	DIMENSIONS	
3.5	ORDERING DATA	
<b>4</b>	<b>INTEGRATOR MODULE</b>	<b>12</b>
4.1	FEATURES	
4.2	SPECIFICATIONS	
4.3	INTERFACES	
4.4	DIMENSIONS	
4.5	ORDERING DATA	
<b>5</b>	<b>INTERCEPTORS</b>	<b>14</b>
5.1	FEATURES	
5.2	SPECIFICATIONS	
5.3	DIMENSIONS	
5.4	ORDERING DATA	
<b>6</b>	<b>DISTRIBUTION UNITS</b>	<b>22</b>
6.1	SPECIFICATIONS	
6.2	CONNECTORS	
6.3	DIMENSIONS	
6.4	ORDERING DATA	
<b>7</b>	<b>CABLES</b>	<b>24</b>
7.1	SPECIFICATIONS	
7.2	ORDERING DATA	
<b>8</b>	<b>CONTROL PANEL ALU FRAME</b>	<b>25</b>
8.1	SPECIFICATIONS	
8.2	ORDERING DATA	
<b>9</b>	<b>CONTROL PANEL COVER</b>	<b>25</b>
9.1	SPECIFICATIONS	
9.2	ORDERING DATA	
<b>10</b>	<b>CONTROL PANEL GIMBAL BRACKET</b>	<b>26</b>
10.1	SPECIFICATIONS	
10.2	DIMENSIONS	
10.3	ORDERING DATA	
<b>11</b>	<b>CABLE COVER EXTENSION KIT</b>	<b>27</b>
11.1	SPECIFICATIONS	
11.2	DIMENSIONS	
11.3	ORDERING DATA	
<b>12</b>	<b>SERVO UNIT</b>	<b>28</b>
12.1	SPECIFICATIONS	
12.2	ORDERING DATA	
<b>13</b>	<b>INTERCEPTOR FRONTS</b>	<b>29</b>
13.1	SPECIFICATIONS	
13.2	DIMENSIONS	
13.3	ORDERING DATA	
<b>14</b>	<b>EXTERNAL GPS ANTENNA</b>	<b>30</b>
14.1	APPLICATION	
14.2	SPECIFICATIONS	
14.3	DIMENSIONS	
14.4	PIN OUT	
14.5	ORDERING DATA	
<b>15</b>	<b>WIRING DIAGRAM</b>	<b>32</b>

# 1 INTRODUCTION

The Dynamic Trim Control System Series E is an evolved version of the successful Series S that incorporates a state-of-the-art family of large durable, fast-acting Interceptors perfectly engineered for bigger boats, up to 30 m (100 ft). Unique 3D controls with a large display provide the helmsman with unmatched, user-friendly, intuitive and precise control of running trim, heel or heading. The system is fully automatic and significantly enhances the boat's performance, fuel economy, comfort and safety.

## KEY FEATURES

### COMFORT AND SAFETY

Dynamically eliminates uncomfortable and dangerous boat pitch and roll.

### PERFORMANCE AND FUEL ECONOMY

Automatically minimizes wave resistance and saves fuel.

### INTUITIVE AND PRECISE CONTROL

Innovative 3D controls provide unmatched control of running trim, heel or heading.

### DURABLE AND EFFECTIVE

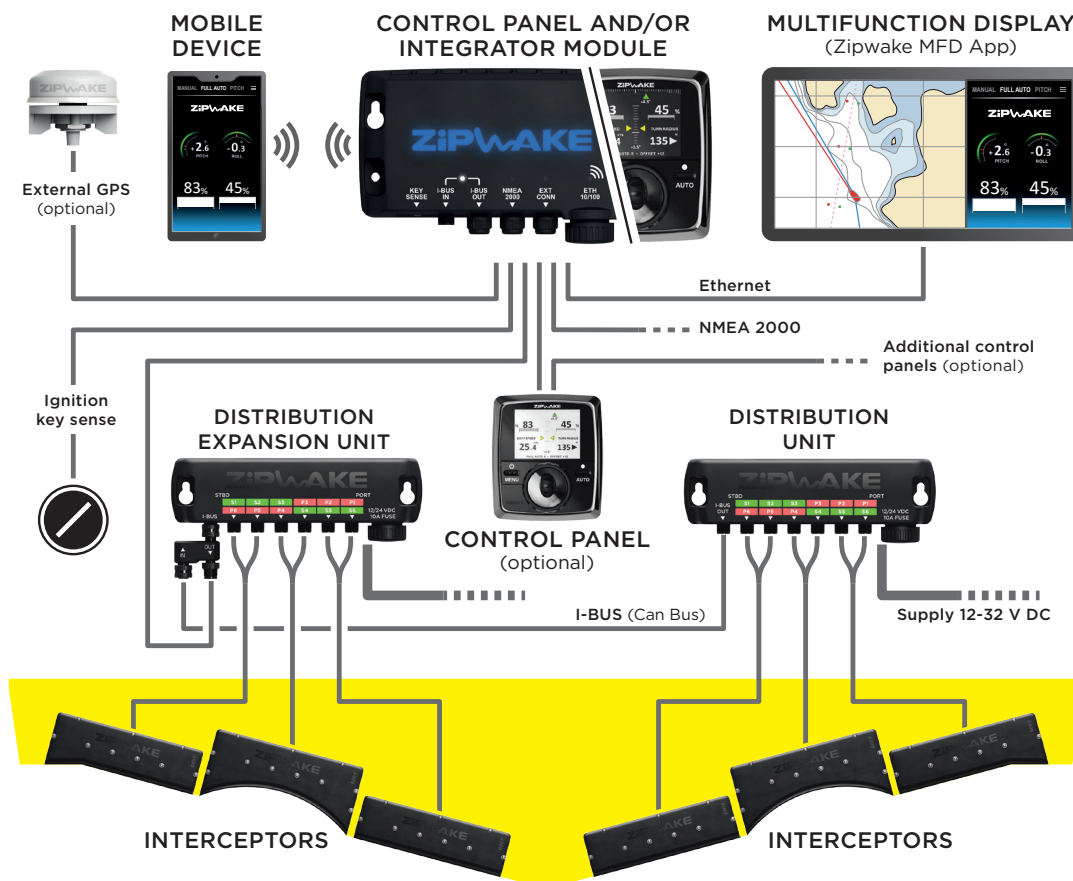
Patented series of large, durable, fast-acting interceptors provide supreme lift force characteristics.

### COMPLETE AND COMPETITIVE

All-inclusive mass-produced modular design provides built-in quality, simple installation and easy expansion, while making the system affordable.

### INTEGRATION

The system's integrator module enables integration with complete system control on compatible multifunction displays (MFDs), making flexible installations and clean dashboard solutions possible. It is also possible to monitor system data on a wide range of plotters via the system's NMEA 2000® interface. The integrator module is compatible with all Zipwake system components.



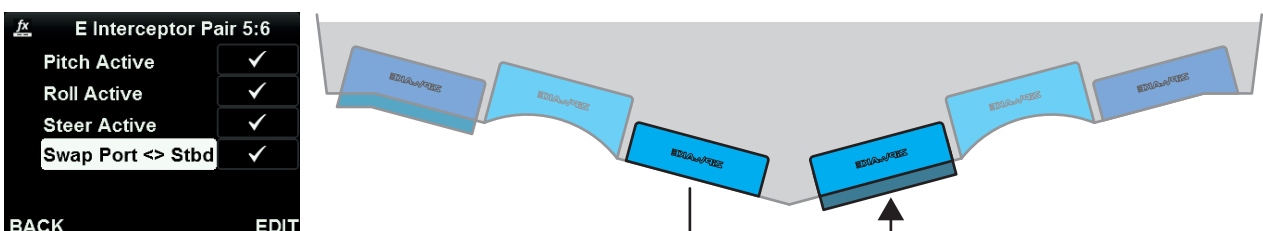
## 1.1 MOTION CONTROL FEATURES

Mode	Motion	Feature	Standard	Future
Automatic	Roll	Active roll control	•	
		Advanced turn recognition	•	
		Coordinated turn	•	
		Easy sensitivity control	•	
	Pitch	Curve-based pitch control	•	
		Pitch-offset control with quick save	•	
		Easy manipulation of pitch control curve	•	
		Basic pitch control curve from boat dimensions	•	
	Yaw	Auxiliary steering, controllable by other onboard system		•
	Manual	Roll	List control	•
Speed-progressive control wheel			•	
Pitch		Trim control	•	
		Speed-progressive control wheel	•	
Yaw		Steering control (calm sea or emergency steering)	•	
		Speed-progressive control wheel	•	

For details, refer to the Operator's Manual.

## 1.2 CONFIGURABLE LIFT FORCE ALLOCATION

The Series E system allows customized allocation of control forces by setting active or inactive control of pitch, roll and yaw for each pair of port and starboard interceptors. A pair's function may also be swapped e.g. to mitigate roll-induced steering forces from another interceptor pair or pairs.



## 1.3 PRODUCTS AND PARTS OVERVIEW

Zipwake products and parts come as Kit Boxes, accessories or spare parts.

### KIT BOXES

			Kit Box contents			
			Kit Box Part No.			
Model	Part No.	Description	2012213	2012011	2012012	2012013
			KB400-E	KB600-E	KB800-E	KB1000-E
CP-E	2012032	Control Panel E with Standard Cable 15 M	1	1	1	1
DU-E	2012033	Distribution Unit E with Power Cable 6 M	1	1	1	1
IT400-E	2012215	Interceptor 400 E with Cable 3 M & Cable Cover	2			
IT600-E	2012018	Interceptor 600 E with Cable 3 M & Cable Cover		2		
IT800-E	2012019	Interceptor 800 E with Cable 3 M & Cable Cover			2	
IT1000-E	2012020	Interceptor 1000 E with Cable 3 M & Cable Cover				2

			Kit Box Part No.			
Model	Part No.	Description	2012270	2012271	2012272	2012273
			KBI400-E	KBI600-E	KBI800-E	KBI1000-E
IM	2012241	Integrator Module	1	1	1	1
SC15-M12	2012037	M12 Standard Cable 15 M	1	1	1	1
DU-E	2012033	Distribution Unit E with Power Cable 6 M	1	1	1	1
IT400-E	2012215	Interceptor 400 E with Cable 3 M & Cable Cover	2			
IT600-E	2012018	Interceptor 600 E with Cable 3 M & Cable Cover		2		
IT800-E	2012019	Interceptor 800 E with Cable 3 M & Cable Cover			2	
IT1000-E	2012020	Interceptor 1000 E with Cable 3 M & Cable Cover				2

			Kit Box Part No.			
Model	Part No.	Description	2012214	2012014	2012274	2012275
			KB400-E CHINE	KB600-E CHINE	KBI400-E CHINE	KBI600-E CHINE
CP-E	2012032	Control Panel E with Standard Cable 15 M	1	1		
IM	2012241	Integrator Module			1	1
SC15-M12	2012037	M12 Standard Cable 15 M			1	1
DU-E	2012033	Distribution Unit E with Power Cable 6 M	1	1	1	1
IT400-E CHINE PORT	2012216	Interceptor 400 E Chine Port side with Cable 3 M & Cable Cover	1		1	
IT400-E CHINE STBD	2012217	Interceptor 400 E Chine Starboard side with Cable 3 M & Cable Cover	1		1	
IT600-E CHINE PORT	2012024	Interceptor 600 E Chine Port side with Cable 3 M & Cable Cover		1		1
IT600-E CHINE STBD	2012025	Interceptor 600 E Chine Starboard side with Cable 3 M & Cable Cover		1		1

### ACCESSORIES AND SPARE PARTS

Model	Part No.	Description	Accessory	Spare Part
IM	2012241	Integrator Module	●	●
CP-E	2012032	Control Panel E with Standard Cable 15 M	●	●
CP ALU FRAME	2011281	Control Panel Alu Frame	●	●
DU-E	2012033	Distribution Unit E with Power Cable 6 M	●	●
DU-EX	2012034	Distribution Expansion Unit E with Power Cable 6 M	●	●
CC-EX	2012036	Cable Cover Extension E Kit	●	●

Model	Part No.	Description	Accessory	Spare Part
<b>IT400-E</b>	2012215	Interceptor 400 E with Cable 3 M & Cable Cover	●	●
<b>IT600-E</b>	2012018	Interceptor 600 E with Cable 3 M & Cable Cover	●	●
<b>IT800-E</b>	2012019	Interceptor 800 E with Cable 3 M & Cable Cover	●	●
<b>IT1000-E</b>	2012020	Interceptor 1000 E with Cable 3 M & Cable Cover	●	●
<b>IT400-E CHINE PORT</b>	2012216	Interceptor 400 E Chine Port side with Cable 3 M & Cable Cover	●	●
<b>IT400-E CHINE STBD</b>	2012217	Interceptor 400 E Chine Starboard side with Cable 3 M & Cable Cover	●	●
<b>IT600-E CHINE PORT</b>	2012024	Interceptor 600 E Chine Port side with Cable 3 M & Cable Cover	●	●
<b>IT600-E CHINE STBD</b>	2012025	Interceptor 600 E Chine Starboard side with Cable 3 M & Cable Cover	●	●
<b>IT600-E TUNNEL R500</b>	2012021	Interceptor 600 E Tunnel R500 with Cable 3 M & Cable Cover	●	●
<b>IT600-E TUNNEL R600</b>	2012022	Interceptor 600 E Tunnel R600 with Cable 3 M & Cable Cover	●	●
<b>IT600-E TUNNEL R800</b>	2012023	Interceptor 600 E Tunnel R800 with Cable 3 M & Cable Cover	●	●
<b>EC1.5-M12</b>	2011258	M12 Extension Cable 1.5 M	●	●
<b>EC3-M12</b>	2011259	M12 Extension Cable 3 M	●	●
<b>EC5-M12</b>	2011260	M12 Extension Cable 5 M	●	●
<b>EC10-M12</b>	2011261	M12 Extension Cable 10 M	●	●
<b>EC15-M12</b>	2012038	M12 Extension Cable 15 M	●	●
<b>EC20-M12</b>	2012039	M12 Extension Cable 20 M	●	●
<b>SC15-M12</b>	2012037	M12 Standard Cable 15 M	●	●
<b>CP COVER</b>	2011381	Control Panel Cover, White	●	●
	2011382	Control Panel Cover, Light gray	●	●
	2011383	Control Panel Cover, Mid gray	●	●
	2011384	Control Panel Cover, Dark gray	●	●
	2011385	Control Panel Cover, Black	●	●
<b>GPU</b>	2011240	Global Positioning Unit with Cable 5 M & Mount Kit	●	●
<b>GB</b>	2011622	Gimbal Bracket for Control Panel	●	●
<b>SU-E</b>	2012035	Servo Unit E with Cable 3 M		●
<b>SU-400E</b>	2012235	Servo Unit 400 E with Cable 3 M		●
<b>IT400-E FRONT</b>	2012218	Interceptor 400 E Front		●
<b>IT600-E FRONT</b>	2012045	Interceptor 600 E Front		●
<b>IT800-E FRONT</b>	2012046	Interceptor 800 E Front		●
<b>IT1000-E FRONT</b>	2012047	Interceptor 1000 E Front		●
<b>IT400-E CHINE PORT FRONT</b>	2012219	Interceptor 400 E Chine Port Side Front		●
<b>IT400-E CHINE STBD FRONT</b>	2012220	Interceptor 400 E Chine Starboard Side Front		●
<b>IT600-E CHINE PORT FRONT</b>	2012051	Interceptor 600 E Chine Port Side Front		●
<b>IT600-E CHINE STBD FRONT</b>	2012052	Interceptor 600 E Chine Starboard Side Front		●
<b>IT600-E TUNNEL R500 FRONT</b>	2012048	Interceptor 600 E Tunnel R500 Front		●
<b>IT600-E TUNNEL R600 FRONT</b>	2012049	Interceptor 600 E Tunnel R600 Front		●
<b>IT600-E TUNNEL R800 FRONT</b>	2012050	Interceptor 600 E Tunnel R800 Front		●
<b>IT450-S V19 FRONT</b>	2011494	Interceptor 450 S V19 Front		●
<b>IT450-S V22 FRONT</b>	2011495	Interceptor 450 S V22 Front		●

## 2 KIT BOXES

Kit boxes include all the parts needed to install a Dynamic Trim Control System with one pair of fast-acting straight or chine interceptors. There are six standard kit boxes, each with a stylish, user-friendly, intuitive control panel, and six kit boxes for integration with a module for hard-wired system integration and wireless communication.

### Kit Boxes - Straight

- Kit Box 400 E
- Kit Box 600 E
- Kit Box 800 E
- Kit Box 1000 E

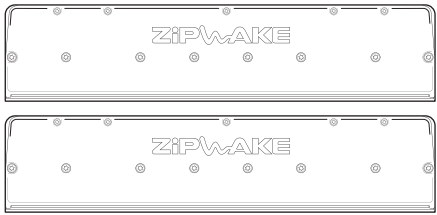


### Kit Boxes - Chine

- Kit Box 400 E Chine
- Kit Box 600 E Chine

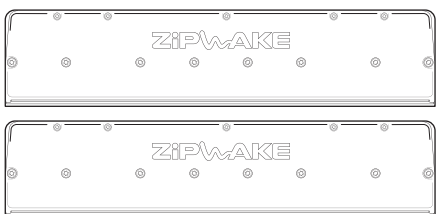

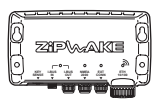



## 2.1 KIT BOX CONTENTS

Standard kit box includes:

<p><b>INTERCEPTOR</b></p>  <p><b>2 x Interceptors</b> with Cable 3 m &amp; Cable Cover</p>	<p><b>DISTRIBUTION UNIT</b></p>  <p><b>1 x Distribution Unit</b> with Power Cable 6 m</p>	<ul style="list-style-type: none"> <li>+ Operator's Manual</li> <li>+ Warranty Card</li> <li>+ Installation Guide</li> <li>+ Drill Templates</li> <li>+ Mounting Screws</li> <li>+ Operator's Quick Guide</li> <li>+ Startup Checklist</li> </ul>
<p><b>CONTROL PANEL</b></p>  <p><b>1 x Control Panel</b> with Standard Cable 15 m</p>		

Kit box for integration includes:

<p><b>INTERCEPTOR</b></p>  <p><b>2 x Interceptors</b> with Cable 3 m &amp; Cable Cover</p>	<p><b>DISTRIBUTION UNIT</b></p>  <p><b>1 x Distribution Unit</b> with Power Cable 6 m</p>	<ul style="list-style-type: none"> <li>+ Operator's Manual</li> <li>+ Warranty Card</li> <li>+ Installation Guide</li> <li>+ Drill Templates</li> <li>+ Mounting Screws</li> <li>+ Operator's Quick Guide</li> <li>+ Startup Checklist</li> </ul>
<p><b>INTEGRATOR MODULE</b></p>  <p><b>1 x Integrator Module</b></p>	 <p><b>1 x Standard Cable 15 m</b></p>	

Any base installation can be expanded with one center-mounted Series E dual-servo interceptor or up to two Series E single-servo interceptors or two Series S interceptors, without any need for additional connectors or power supply.



## 2.2 SPECIFICATIONS

Standard kit box:

Model	KB400-E	KB600-E	KB800-E	KB1000-E	KB400-E CHINE	KB600-E CHINE	
<b>Width</b>	752 (29.6)	752 (29.6)	930 (36.6)	1130 (44.5)	752 (29.6)	752 (29.6)	mm (in)
<b>Depth</b>	192 (7.6)	192 (7.6)	192 (7.6)	192 (7.6)	192 (7.6)	192 (7.6)	mm (in)
<b>Height</b>	452 (17.8)	452 (17.8)	458 (18)	458 (18)	452 (17.8)	452 (17.8)	mm (in)
<b>Weight</b>	16.8 (37.0)	21.7 (47.8)	26.5 (58.4)	32.5 (71.7)	17.1 (37.7)	22 (48.5)	kg (lbs)

Kit box for integration:

Model	KBI400-E	KBI600-E	KBI800-E	KBI1000-E	KB4100-E CHINE	KBI600-E CHINE	
<b>Width</b>	752 (29.6)	752 (29.6)	930 (36.6)	1130 (44.5)	752 (29.6)	752 (29.6)	mm (in)
<b>Depth</b>	192 (7.6)	192 (7.6)	192 (7.6)	192 (7.6)	192 (7.6)	192 (7.6)	mm (in)
<b>Height</b>	452 (17.8)	452 (17.8)	458 (18)	458 (18)	452 (17.8)	452 (17.8)	mm (in)
<b>Weight</b>	16.9 (37.3)	21.8 (48.1)	26.6 (58.7)	32.6 (72.0)	17.2 (38.0)	22.1 (48.8)	kg (lbs)

See section 1.3 for details of the contents of each Kit Box.

## 2.3 ORDERING DATA

Standard kit box:

Model	KB400-E	KB600-E	KB800-E	KB1000-E	KB400-E CHINE	KB600-E CHINE	
<b>Part No.</b>	2012213	2012011	2012012	2012013	2012214	2012014	

Kit box for integration:

Model	KBI400-E	KBI600-E	KBI800-E	KBI1000-E	KB4100-E CHINE	KBI600-E CHINE	
<b>Part No.</b>	2012270	2012271	2012272	2012273	2012274	2012275	

### 3 CONTROL PANEL

Zipwake's stylish control panel is carefully designed to be user-friendly and intuitive to allow the driver to focus on the right thing – enjoying the boat ride!

The panel's two unique control wheels provide easy, quick and intuitive manual control of running trim, heel or heading. However, the system normally operates in automatic control mode, which is enabled by a single press on the AUTO button. In this mode, the built-in high-frequency GPS, 3D gyro sensors and robust motion controller automatically ensure dynamic elimination of uncomfortable and dangerous boat pitch and roll.

The system provides continuous feedback of boat speed, turning radius, pitch and roll angle, as well as the interceptors' positions, on a 2.8" sunlight-readable wide viewing color display.



The panel's waterproof design withstands harsh marine conditions in open boats or on a flybridge. The sockets for connecting peripherals are located on the rear of the panel. In addition to connectors for the system's distribution unit and multiple control panels, external GPS and NMEA2000 equipment can be connected. The system can also be connected to the ignition key for automatic system power-on. A waterproof cap conceals the USB interface that allows for future software upgrades and ensures that the Zipwake Dynamic Trim Control System is future-proof.

#### 3.1 FEATURES



- Fully automatic
  - Dynamic pitch and roll control
  - Steering and turn enhancement
- Built-in GPS and motion sensors
- Unique and intuitive 3D controls
- Sunlight readable color display
- Instant state user feedback
- Auto power on/off via ignition key sense
- Full range of electrical interfaces
- Waterproof
- Auto dimming / night mode
- Upgradable via USB stick
- Supports up to 3 additional Control Panels in the system
- Surface, flush or gimbal bracket mount
- Manages installation configurations from 1 to 6 Series E dual-servo interceptors or any mix with single-servo interceptors
- Allows configuration of interceptor pair function
- Auto Cleaning
  - Selectable periodic cleaning cycle
  - Prevents fouling inside the interceptor
- Monitored and/or controlled from external devices, e.g. multifunction displays or plotters via its NMEA 2000 interface

### 3.2 SPECIFICATIONS

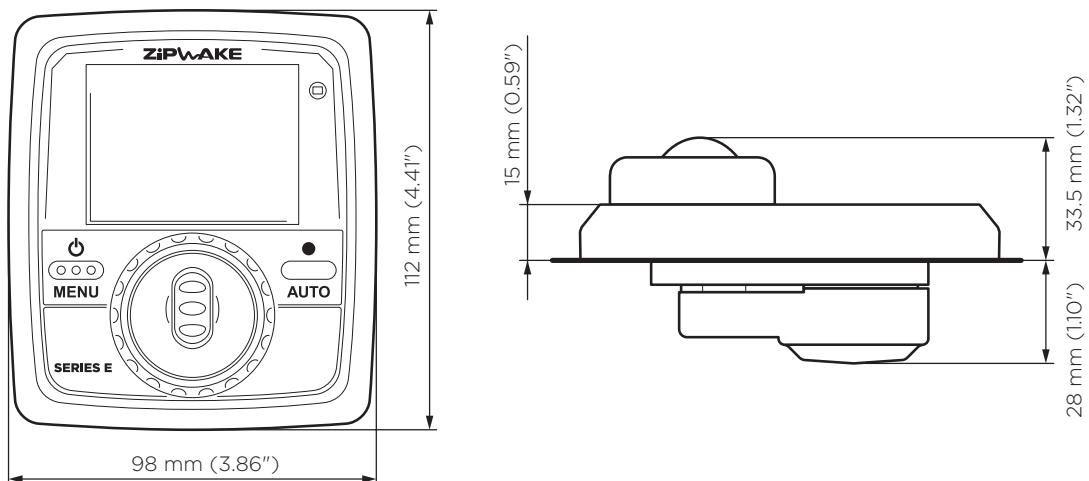
<b>Model</b>	CP-E
<b>Display</b>	2.8" IPS color TFT LCD, 320 x 240 pixels, double-sided, anti-reflection coated window
<b>Internal sensors</b>	5 Hz GPS, 3D Gyro, 3D Accelerometer, Ambient light
<b>Supply voltage</b>	12 - 32 V DC
<b>Power consumption</b>	10 W max
<b>Operating temperature</b>	-20° to +85°C (-4° to +185°F)
<b>Storage temperature</b>	-40° to +90°C (-40° to +194°F)
<b>Waterproof rating</b>	IP67 / IP64 (front / back)
<b>Compass safe distance</b>	0.5 m (1.7 ft)
<b>Compliance</b>	CE, FCC
<b>Weight</b>	0.22 kg (0.49 lbs)
<b>Mounting</b>	Surface, flush or gimbal bracket mount

### 3.3 INTERFACES

- I-BUS IN (CAN bus)
- I-BUS OUT (CAN bus)
- NMEA 2000
- Key sense
- USB Device Port (Type A)
- USB Host Port (Type B)
- External GPS (NMEA 0183 / RS232 auto baud-rate sensing)



### 3.4 DIMENSIONS



### 3.5 ORDERING DATA

<b>Model</b>	CP-E
<b>Part No.</b>	2012032 with Standard Cable 15 m

- Included in Kit Boxes
- Available as an accessory
- Available as a spare part

## 4 INTEGRATOR MODULE

The Zipwake integrator module enables total integration and clean dashboard solutions by connecting the Zipwake system to multifunction displays (MFDs) and/or smart devices. The embedded Zipwake user interface provides intuitive, easy control without the need for a separate control panel, although any Zipwake system will allow up to 3 additional control panels for anyone wanting both touch buttons and Zipwake's unique control wheels for ultimate manual control.

The integrator module supports connections to a wide range of MFD brands/models via an ethernet interface. Its wireless interface enables connection to smartphones and tablets by means of Zipwake's app for wireless views, control, configuration and software updates. The integrator also includes a CAN interface for further external system integration.

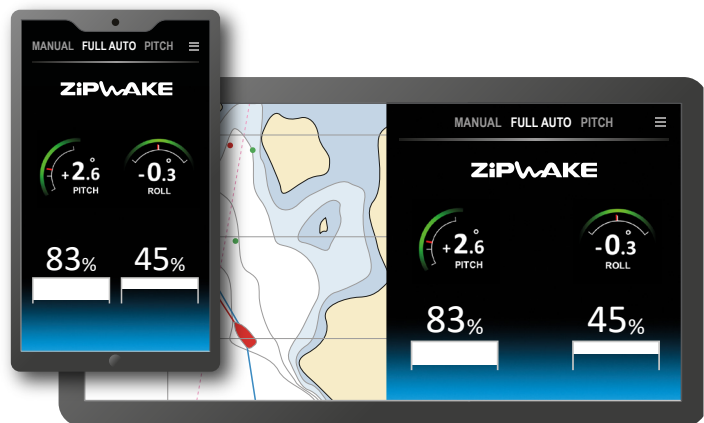
The Integrator has built-in motion sensors that also use GPS data acquired either via connection to an NMEA 2000 network, from an external GPS antenna or from extra control panels, where fitted, to ensure precise and dynamic control of the boat's pitch and roll. The module can be oriented in any direction and its rugged, waterproof design allows for flexible installation e.g. behind the helm/dash, on the flybridge or in the engine room. It comes with a special ethernet connector collar that makes sealing standard ethernet cables easy.

The integrator module is compatible with all Zipwake system components and is available as an accessory, a spare part or included in kit boxes for integration (refer to section 1.3).



### 4.1 FEATURES

- Fully automatic
  - Dynamic pitch and roll control
  - Steering and turn enhancement
- Motion sensors and magnetic compass
- Instant user feedback
- Auto power on/off via ignition key sense
- Waterproof design
  - Standard ethernet cable sealed by waterproof ethernet connector collar
- RGB LED status indicators for each interface
- Wireless upgradable via smartphones/tablets
- Supports up to three additional Control Panels in the system
- Compatible with all Zipwake system components
- Manages installation configurations from 1 to 6 Series E dual-servo interceptors or any mix with single-servo interceptors
- Allows configuration of interceptor pair function
- Auto Cleaning
  - Selectable periodic cleaning cycle
  - Prevents fouling inside the interceptor
- Monitored and/or controlled from external devices
  - Multifunction displays (MFD) via ethernet
  - Smartphones/tables via wireless interface
  - Plotters via NMEA 2000 interface



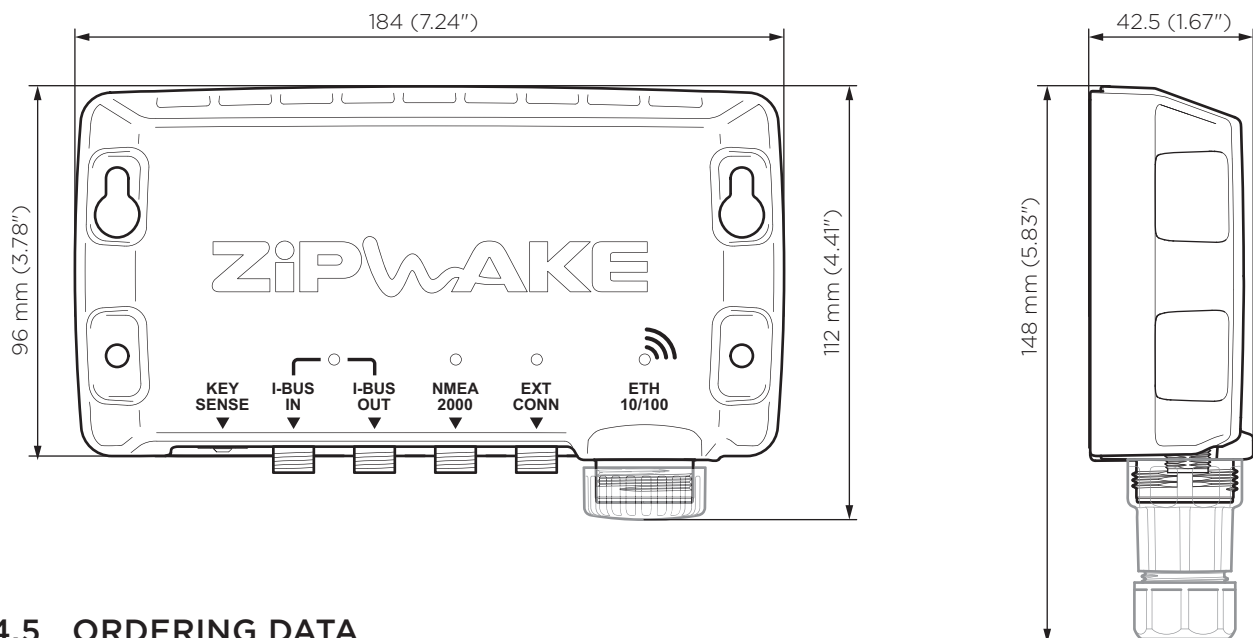
## 4.2 SPECIFICATIONS

<b>Model</b>	IM
<b>Indicators</b>	RGB LEDs for each communication interface (x4) RGB backlit logo
<b>Internal sensors</b>	3D Gyro, 3D Accelerometer, Compass
<b>Supply voltage</b>	12 - 32 V DC
<b>Power consumption</b>	4 W max
<b>Operating temperature</b>	-20° to +85°C (-4° to +185°F)
<b>Storage temperature</b>	-40° to +90°C (-40° to +194°F)
<b>Waterproof rating</b>	IP67
<b>Compass safe distance</b>	0.5 m (1.7 ft)
<b>Compliance</b>	CE, FCC, SAE J1171 Ignition Protected
<b>Weight</b>	0.35 kg (12.4 lbs)

## 4.3 INTERFACES

- I-BUS IN (CAN bus)
- I-BUS OUT (CAN bus)
- NMEA 2000
- Key Sense
- External connection
  - GPS (NMEA 0183 / RS232)
  - CAN (J1939)
- Ethernet (10/100G)
- Wi-Fi / Bluetooth

## 4.4 DIMENSIONS



## 4.5 ORDERING DATA

<b>Model</b>	IM
<b>Part No.</b>	2012241 (excluding Standard Cable 15 m)

- Included in Kit Boxes for integration
- Available as an accessory
- Available as a spare part

## 5 INTERCEPTORS

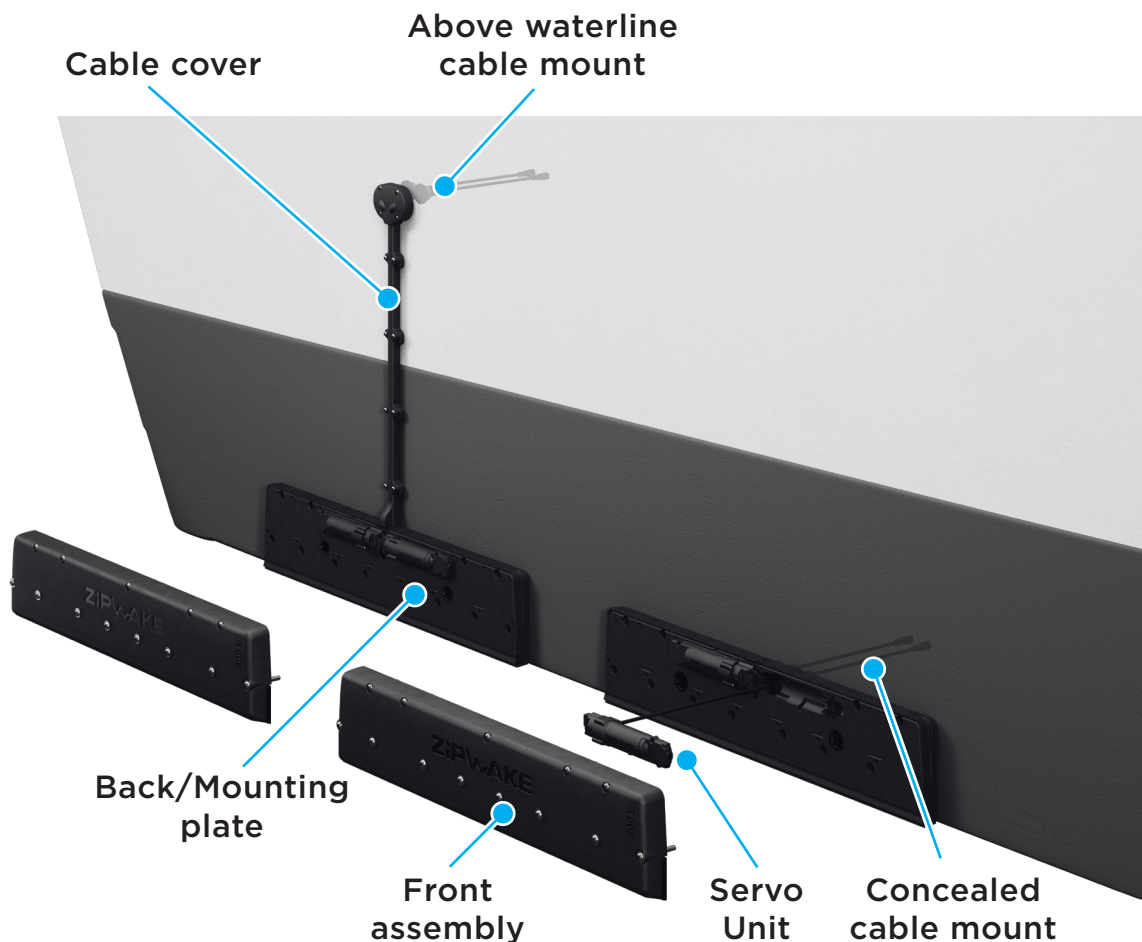
Series E is a family of large, fast-acting interceptors that includes four straight, three tunnel and four chine models. Their blade rate and stroke are 40 mm/s and 60 mm respectively. The large, modular design made for mass production means the interceptors are durable, affordable and particularly well adapted to any planing or semi-planing boat up to 30 m (100 ft).

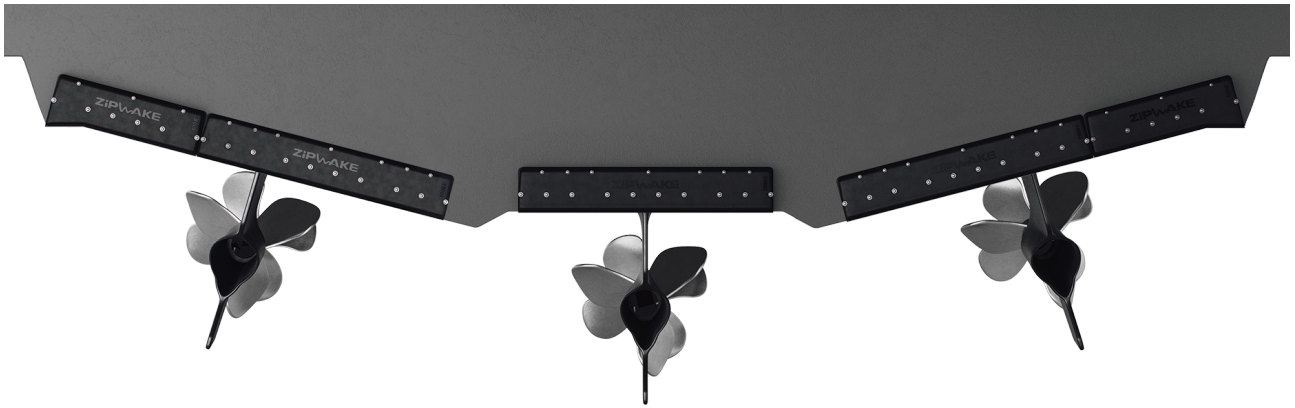


All components have been meticulously engineered to withstand impact and avoid water ingress, minimizing the risk of costly maintenance and downtime. Interceptor or blade actuation takes place by way of calibration-free submersible electric single or dual servos in the interceptor unit. Natural water cooling provides excellent working conditions for the brushless DC servo motors, which run on 12-32 volts.

Installation is made easy with an integral mounting plate and the option of a concealed or above-waterline, self-sealing, thru-hull cable fitting. The preferred mounting option is achieved by simply routing the servo cable as shown below. Each interceptor comes with the thru-hull cable fitting, cable cover and a practical drill template.

For best effect, different size interceptors can be combined to span as much of the transom edge as possible. A full beam is always the optimal arrangement from a lift-to-drag ratio point of view.



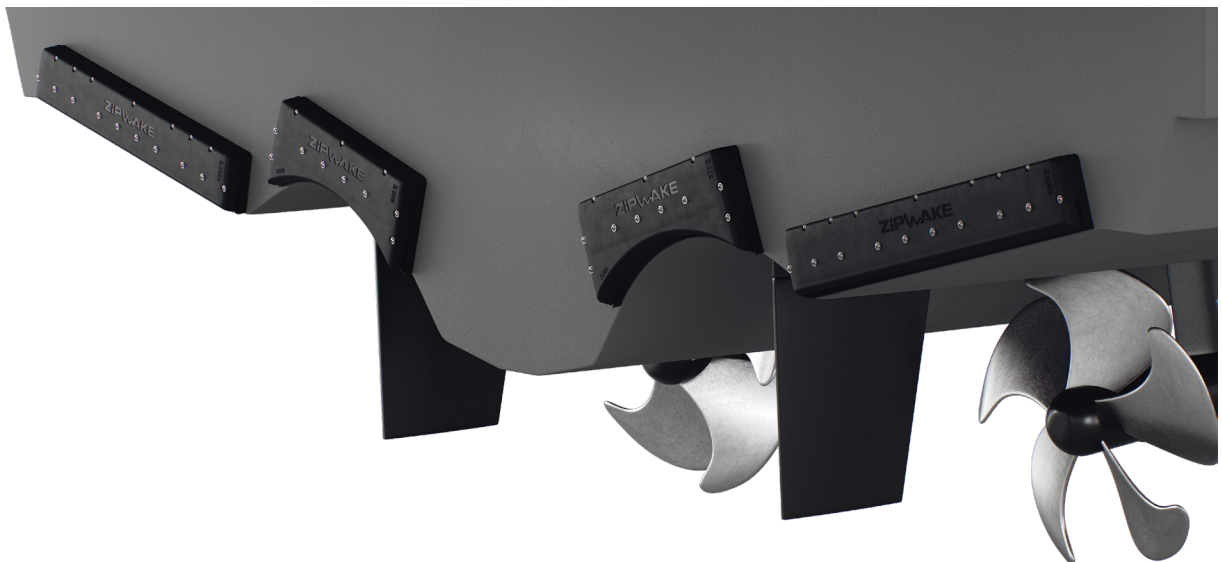


## Tunnel interceptors for mounting above propeller tunnels

Tunnel-shaped interceptors provide the perfect lift-force solution for hulls with propeller tunnels. In contrast to straight interceptors, the tunnel interceptor's constant radius curvature allows mounting above the propeller tunnel to fully or partially use the otherwise unutilized part of the beam for lift generation.



The three tunnel models with different radii, R500, R600 and R800, make sure that most large boat propeller tunnels can be covered with negligible deviation between hull and interceptor curvature. Tunnel interceptors can be included in new installations, or retro-fitted to systems already installed.

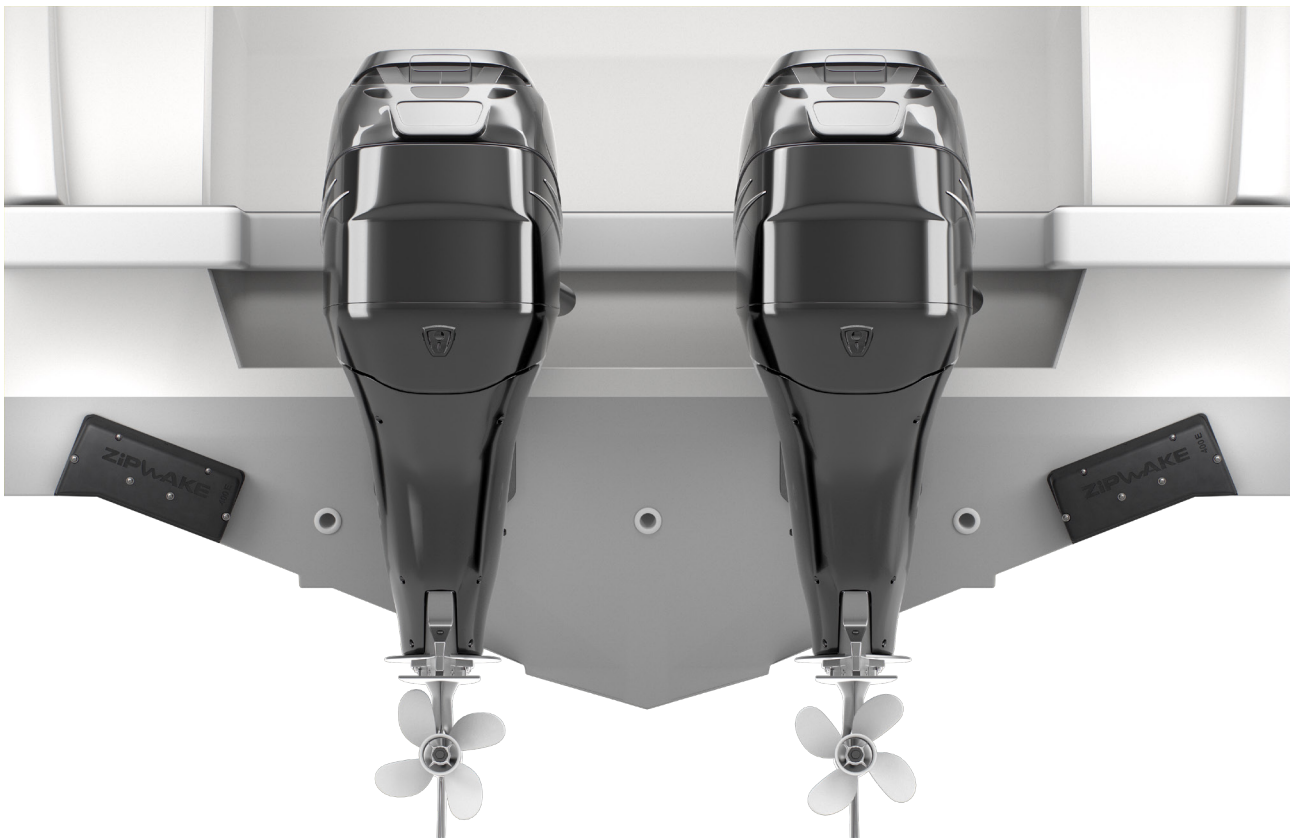


## Chine interceptors for maximum lift

Chine interceptors provide a unique means of maximizing pitch and roll motion control by utilizing the furthest outboard surfaces of the hull bottom for lift generation.



As a rule, the lift effect of a chine interceptor matches the lift of a straight interceptor one size larger mounted inboard of the chine, making them the go-to choice when selecting interceptors.



Chine interceptors are particularly useful when transom space is limited abeam of swim platform lifts, waterjets, surface drives, or outboards.



## 5.1 FEATURES



- True outboard mount
- Modular design
- Fast actuation
- Straight, tunnel and chine models
- Integrated mounting plate
- Thru-hull fitting options
  - Above waterline
  - Concealed behind interceptor
- Submersible servo units
  - Brushless 12-24V DC servo motor
  - High-precision positioning
  - Calibration free
  - Durable and accessible
- Auto Cleaning
  - Periodically selectable cleaning cycle
  - Prevents fouling inside the interceptor
- No corrosive materials



## 5.2 SPECIFICATIONS

Model		IT400-E	IT600-E	IT800-E	IT1000-E
<b>Length</b>	mm (in)	400 (15.7)	600 (23.6)	800 (31.5)	1000 (39.4)
<b>Weight</b>	kg (lbs)	5.0 (11.0)	7.3 (16.1)	9.2 (20.3)	11.5 (25.4)
<b>Servo units</b>		Single	Dual	Dual	Dual

Model		IT600-E TUNNEL R500	IT600-E TUNNEL R600	IT600-E TUNNEL R800	
<b>Length</b>	mm (in)	600 (23.6)	600 (23.6)	600 (23.6)	
<b>Weight</b>	kg (lbs)	8.4 (18.5)	8.2 (18.1)	7.9 (17.4)	
<b>Servo units</b>		Dual	Dual	Dual	

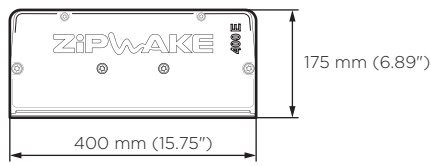
Model		IT400-E CHINE PORT	IT400-E CHINE STBD	IT600-E CHINE PORT	IT600-E CHINE STBD
<b>Length</b>	mm (in)	400 (15.7)	400 (15.7)	600 (23.6)	600 (23.6)
<b>Weight</b>	kg (lbs)	5.1 (11.2)	5.1 (11.2)	7.4 (16.3)	7.4 (16.3)
<b>Servo units</b>		Single	Single	Dual	Dual

<b>Max. boat speed</b>	50 knots
<b>Blade stroke</b>	60 mm (2.4 in)
<b>Blade rate</b>	40 mm/s (1.6 in/s)
<b>Thru-hull cable fitting</b>	Concealed or above waterline
<b>Servo actuator</b>	SU-E
<b>Cable length</b>	3 m (10 ft), extendable up to 6 m (20 ft)
<b>Cable material</b>	PUR
<b>Connector</b>	M12 5-pin circular
<b>Connector diameter</b>	14.5 mm (0.57 in)
<b>Supply voltage</b>	12 - 32 V DC
<b>Power consumption</b>	25 W max/servo unit
<b>Operating temperature</b>	0° to +40°C (+32° to +104°F)
<b>Storage temperature</b>	-40° to +90°C (-40° to +194°F)
<b>Waterproof rating</b>	IP68 5 m (16 ft)
<b>Compliance</b>	CE, FCC

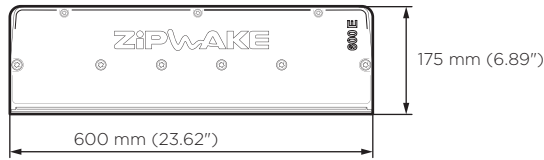


### 5.3 DIMENSIONS

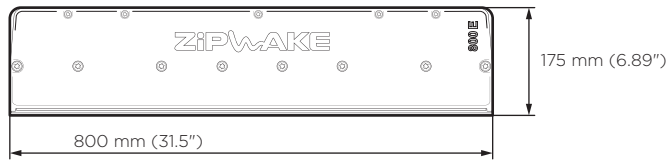
IT400-E



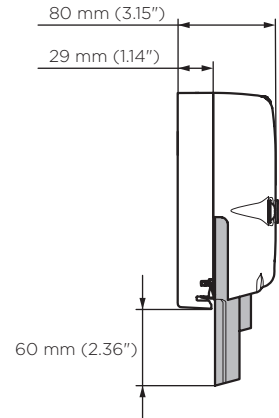
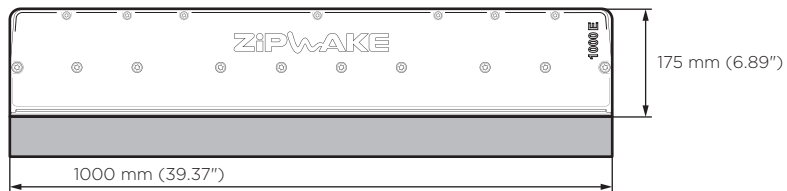
IT600-E



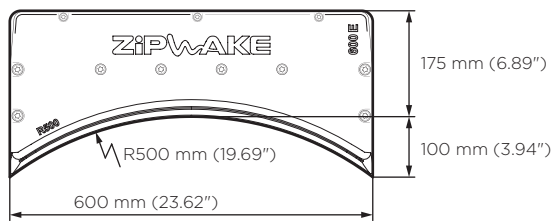
IT800-E



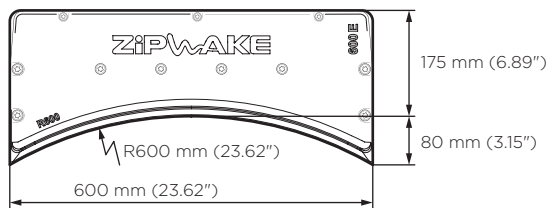
IT1000-E



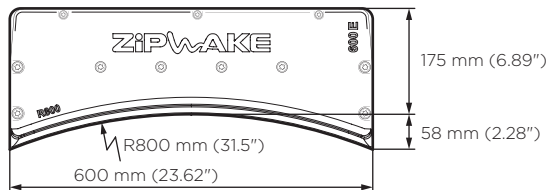
IT600-E  
TUNNEL  
R500



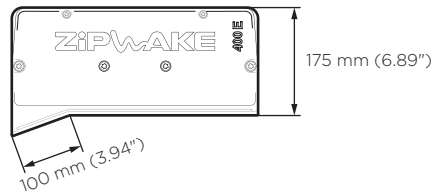
IT600-E  
TUNNEL  
R600



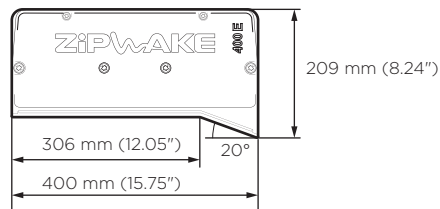
IT600-E  
TUNNEL  
R800



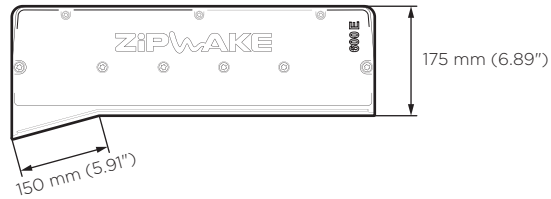
**IT400-E  
CHINE  
PORT**



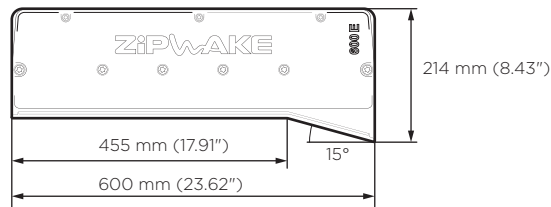
**IT400-E  
CHINE  
STBD**



**IT600-E  
CHINE  
PORT**



**IT600-E  
CHINE  
STBD**



## 5.4 ORDERING DATA

Model	IT400-E	IT600-E	IT800-E	IT1000-E
Part No.	2012215	2012018	2012019	2012020
Comes with Cable 3 m and Cable Cover				

- Included in Kit Boxes
- Available as an accessory
- Available as a spare part

Model	IT600-E TUNNEL R500	IT600-E TUNNEL R600	IT600-E TUNNEL R800
Part No.	2012021	2012022	2012023
Comes with Cable 3 m and Cable Cover			

- Available as an accessory
- Available as a spare part

Model	IT400-E CHINE PORT	IT400-E CHINE STBD	IT600-E CHINE PORT	IT600-E CHINE STBD
Part No.	2012216	2012217	2012024	2012025
Comes with Cable 3 m and Cable Cover				

- Included in Kit Boxes
- Available as an accessory
- Available as a spare part

## 6 DISTRIBUTION UNITS

The Distribution Unit (DU-E) supplies the system with power and can accommodate up to three Series E dual-servo interceptors.

The unit is connected to the main control panel or integrator module. It is robust, waterproof, oil resistant and ignition protected for mounting in an engine room.

The power cable is included for easy connection to a battery. The distribution unit has built-in electrical protection, including its own protection fuse.

The system can be expanded with the Distribution Expansion Unit (DU-EX) in order to accommodate up to six Series E dual-servo interceptors or any mix with Series S interceptors.



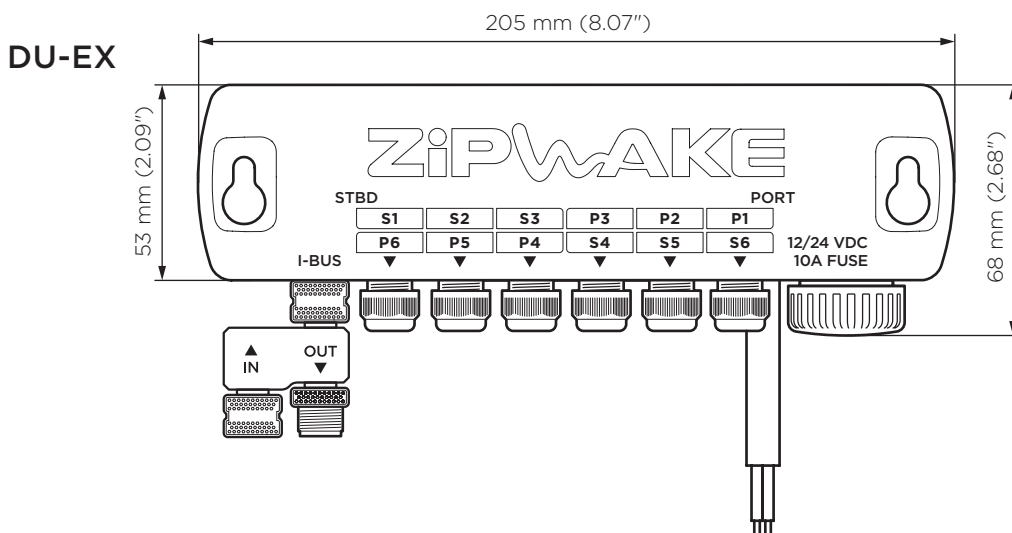
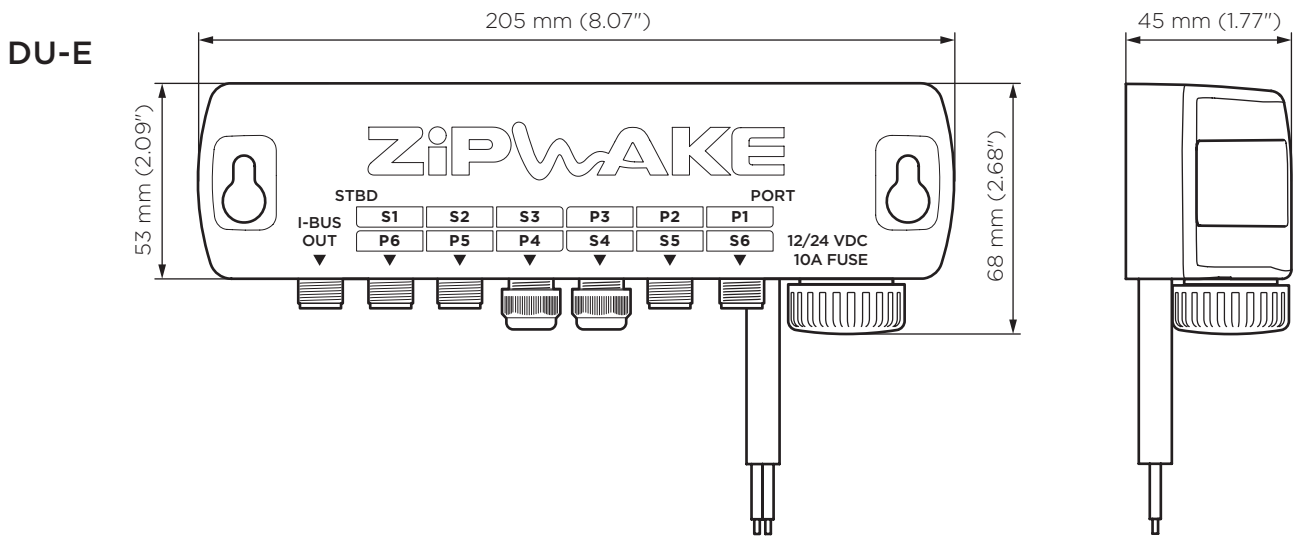
### 6.1 SPECIFICATIONS

<b>Model</b>	DU-E/EX
<b>Supply voltage</b>	12 - 32 V DC
<b>Power consumption</b>	0.1 W max
<b>Protection fuse</b>	10 A ATO
<b>Power cable</b>	Length 6 m (19.7 ft), Diameter 9 mm (0.35 in), 12 AWG
<b>Operating temperature</b>	-20° to +85°C (-4° to +185°F)
<b>Storage temperature</b>	-40° to +90°C (-40° to +194°F)
<b>Waterproof rating</b>	IP67 with cables and/or protective caps mounted
<b>Oil resistance</b>	Common engine fluids
<b>Compliance</b>	CE, FCC, SAE J1171 Ignition Protected
<b>Weight</b>	1.1 kg (2.4 lbs) including power cable

### 6.2 CONNECTORS

- Six servo connections
- I-BUS OUT (power and CAN bus to control panels or integrator module)
- 2-lead power cable

## 6.3 DIMENSIONS



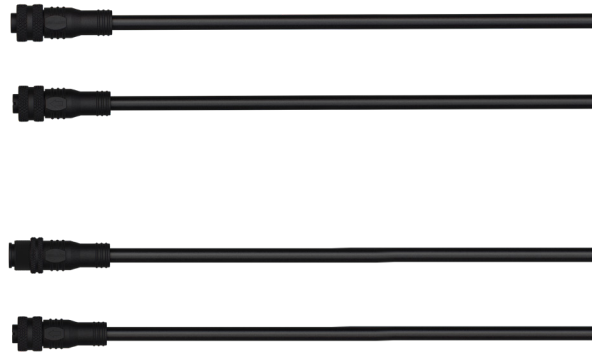
## 6.4 ORDERING DATA

Model	DU-E	DU-EX
Part No.	2012033 with Power Cable 6 m	2012034 with Power Cable 6 m

- Included in Kit Boxes (DU-E)
- Available as an accessory
- Available as a spare part

## 7 CABLES

Model	Description
SC15-M12	Standard Cable 15 m (49 ft)
EC1.5-M12	Extension Cable 1.5 m (5 ft)
EC3-M12	Extension Cable 3 m (10 ft)
EC5-M12	Extension Cable 5 m (16 ft)
EC10-M12	Extension Cable 10 m (33 ft)
EC15-M12	Extension Cable 15 m (49 ft)
EC20-M12	Extension Cable 20 m (65 ft)



The standard cable is used to connect the main control panel or the integrator module to the distribution unit, usually located on or near the transom. This cable is also used to connect the main panel or integrator module to the next panel, e.g. the flybridge. The standard cable can be extended by using any of the available extension cables. The servo unit cable can be extended using 1.5 m or 3 m extension cables. The total servo cable length must not exceed 6 m (20 ft).

### 7.1 SPECIFICATIONS

Model	SC15-M12	EC1.5-M12	EC3-M12	EC5-M12	EC10-M12	EC15-M12	EC20-M12	
<b>Weight</b>	kg (lbs)	0.80 (1.76)	0.09 (0.2)	0.16 (0.35)	0.26 (0.57)	0.50 (1.1)	0.75 (1.65)	1.05 (2.31)
<b>Connectors</b>	M12 5-pin circular							
<b>Connector diameter</b>	14.5 mm (0.57 in)							
<b>Cable material</b>	PVC							
<b>Rated current</b>	4 A							
<b>Waterproof rating</b>	IP67 when connected							
<b>Operating temperature</b>	-20° to +85°C (-4° to +185°F)							
<b>Storage temperature</b>	-40° to +90°C (-40° to +194°F)							
<b>Oil resistance</b>	Common engine fluids							
<b>Compliance</b>	CE, FCC							

### 7.2 ORDERING DATA

Model	SC15-M12	EC1.5-M12	EC3-M12	EC5-M12	EC10-M12	EC15-M12	EC20-M12
<b>Part No.</b>	2012037	2011258	2011259	2011260	2011261	2012038	2012039

- Available as an accessory
- Available as a spare part



## 8 CONTROL PANEL ALU FRAME

The control panel for the Series E comes with a black chrome frame and a wheel cap in a glossy, black finish. A conversion kit is available for those who prefer a brushed aluminum finish. The kit includes simple instructions to make replacement an easy task.



### 8.1 SPECIFICATIONS

<b>Model</b>	CP ALU FRAME
<b>Surface appearance</b>	Brushed aluminum
<b>Items in kit</b>	1 x frame, 1 x wheel cap, 1 x instruction
<b>Weight</b>	0.03 kg (0.06 lbs)

### 8.2 ORDERING DATA

<b>Model</b>	CP ALU FRAME
<b>Part No.</b>	2011281

- Available as an accessory
- Available as a spare part

## 9 CONTROL PANEL COVER

Weather cover for the Series E control panel. Protects the display from the harsh marine environment when not in use. Fits standard surface mounted CP-E instrument. Available in five different colors to blend in with other instruments.



### 9.1 SPECIFICATIONS

<b>Model</b>	CP COVER
<b>Surface appearance</b>	Five different colors, soft-touch
<b>Weight</b>	0.05 kg (0.11 lbs)

### 9.2 ORDERING DATA

<b>Model</b>	CP COVER				
<b>Color</b>	<input type="checkbox"/> WHITE	<input type="checkbox"/> LIGHT GRAY	<input type="checkbox"/> MID GRAY	<input type="checkbox"/> DARK GRAY	<input type="checkbox"/> BLACK
<b>Part No.</b>	2011381	2011382	2011383	2011384	2011385

- Available as an accessory
- Available as a spare part

# 10 CONTROL PANEL GIMBAL BRACKET

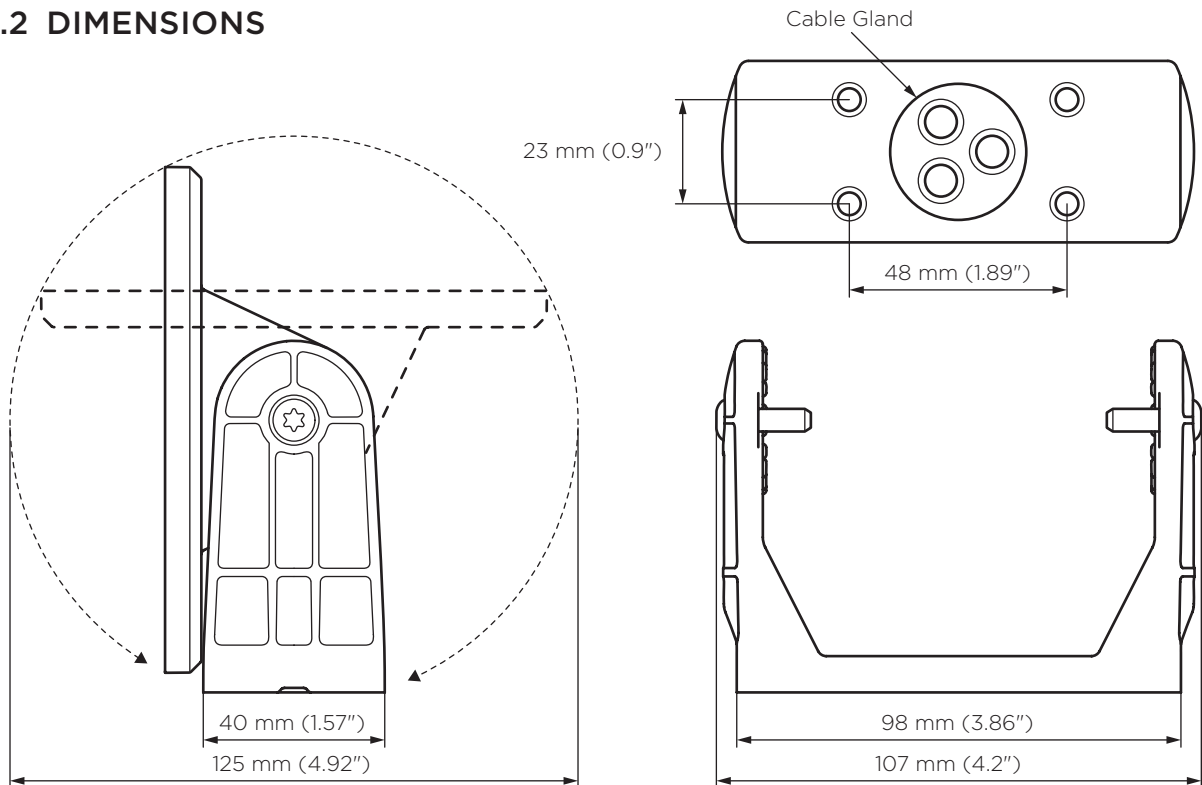
When space is limited, the gimbal bracket provides a useful installation option for the Series E control panel. The gimbal bracket enables the control panel to be positioned at any angle between 0 and 360 degrees, and it comes with a cable gland that allows waterproof, open-sky installation.



## 10.1 SPECIFICATIONS

<b>Model</b>	GB
<b>Items in kit</b>	1 x bracket, 1 x frame, 10 x screws, 1 cable gland, 1 x instruction
<b>Weight</b>	0.12 kg (0.27 lbs)

## 10.2 DIMENSIONS



## 10.3 ORDERING DATA

<b>Model</b>	GB
<b>Part No.</b>	2011622

- Available as an accessory
- Available as a spare part

# 11 CABLE COVER EXTENSION KIT

The thru-hull cable fitting of Series E interceptors can either be concealed behind the interceptor or positioned above the waterline. If the above-waterline mount is preferred, the interceptors come with a thru-hull cover and a cable cover, and their accompanying cover bases.

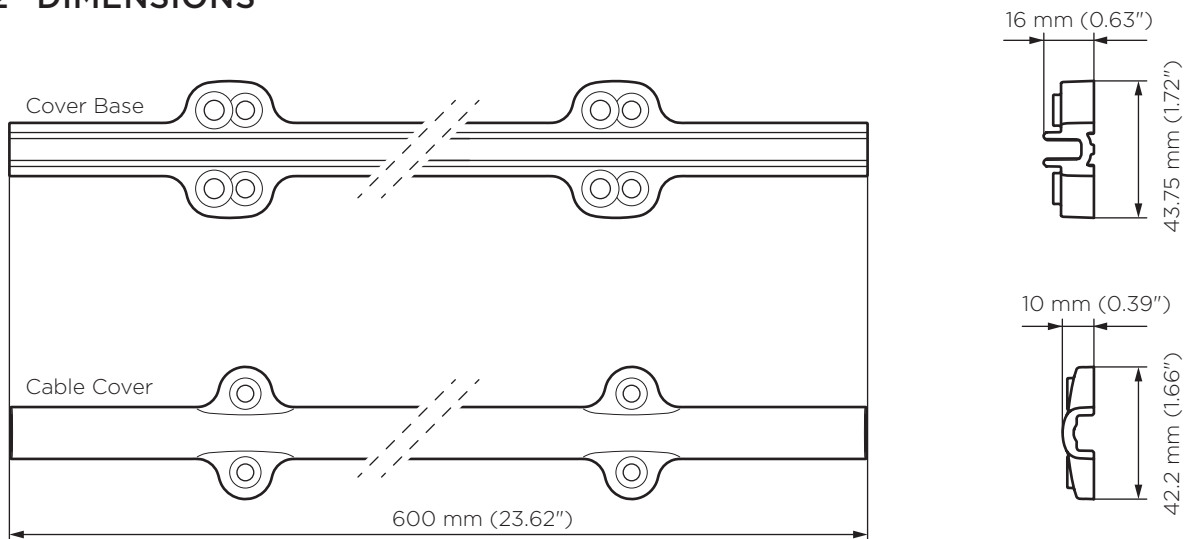
A cable cover extension kit is available to provide flexible routing of the cable on the transom.



## 11.1 SPECIFICATIONS

<b>Model</b>	CC-EX
<b>Items in kit</b>	1 x cable cover with cover base 16 x screws
<b>Weight</b>	0.26 kg (0.57 lbs)

## 11.2 DIMENSIONS



## 11.3 ORDERING DATA

<b>Model</b>	CC-EX
<b>Part No.</b>	2012036

- Available as an accessory
- Available as a spare part

## 12 SERVO UNIT

The Series E submersible electrical servo unit fits inside the interceptor, where it drives with precision the mechanism that provides linear motion to the interceptor blades. For extended service life, the servo unit has double shaft seals and a precision-ground shaft in special high-grade stainless steel. The unit is fast-acting, durable, calibration free and easy to install or replace. It comes with a rugged 3 m cable with a self-sealing thru-hull fitting.



### 12.1 SPECIFICATIONS

<b>Model</b>	SU-400E	SU-E
<b>Interceptor</b>	IT400-E and IT400-E chine models	IT600-E, IT800-E, IT1000-E and IT600-E chine and tunnel models
<b>Servo motor type</b>	Brushless DC with Hall sensors	
<b>Supply voltage</b>	12 - 32 V DC	
<b>Power consumption</b>	25 W max	
<b>Operating temperature</b>	0° to +40°C (+32° to +104°F)	
<b>Storage temperature</b>	-40° to +90°C (-40° to +194°F)	
<b>Waterproof rating</b>	IP68 5 m (16 ft)	
<b>Compliance</b>	CE, FCC	
<b>Cable length</b>	3 m (10 ft), extendable up to 6 m (20 ft)	
<b>Cable material</b>	PUR	
<b>Connector</b>	M12 5-pin circular	
<b>Connector diameter</b>	14.5 mm (0.57 in)	
<b>Weight</b>	0.7 kg (1.54 lbs) including cable	

### 12.2 ORDERING DATA

Model	SU-400E	SU-E
<b>Part No.</b>	2012235	2012035
	Comes with Cable 3 m	

- Available as a spare part

## 13 INTERCEPTOR FRONTS

A front assembly comprises the interceptor's front housing, blade and assisting roller blade, the small parts that deal with blade linear motion and the set of screws required to mount the front to the back plate.



The front assemblies of the Series E interceptors have been designed to mitigate further damage to the interceptor in the rare event of contact with floating debris. Each interceptor model's front assembly is therefore available as a spare part.

### 13.1 SPECIFICATIONS

Refer to interceptor specifications in section 4.2.

### 13.2 DIMENSIONS

Refer to interceptor dimensions in section 4.3.

### 13.3 ORDERING DATA

Model	IT400-E FRONT	IT600-E FRONT	IT800-E FRONT	IT1000-E FRONT
Part No.	2012218	2012045	2012046	2012047

- Available as a spare part

Model	IT600-E TUNNEL R500 FRONT	IT600-E TUNNEL R600 FRONT	IT600-E TUNNEL R800 FRONT
Part No.	2012048	2012049	2012050

- Available as a spare part

Model	IT400-E CHINE PORT FRONT	IT400-E CHINE STBD FRONT	IT600-E CHINE PORT FRONT	IT600-E CHINE STBD FRONT
Part No.	2012219	2012220	2012051	2012052

- Available as a spare part

## 14 EXTERNAL GPS ANTENNA

The Zipwake external GPS antenna is a 5Hz, 20-channel receiver with excellent reception that provides accurate and rapid vessel position and speed updates. Vessel speed is a necessary input for the Zipwake's automatic motion controller. The antenna has a rugged construction, is fully waterproof and can be mast or surface mounted on any vessel.



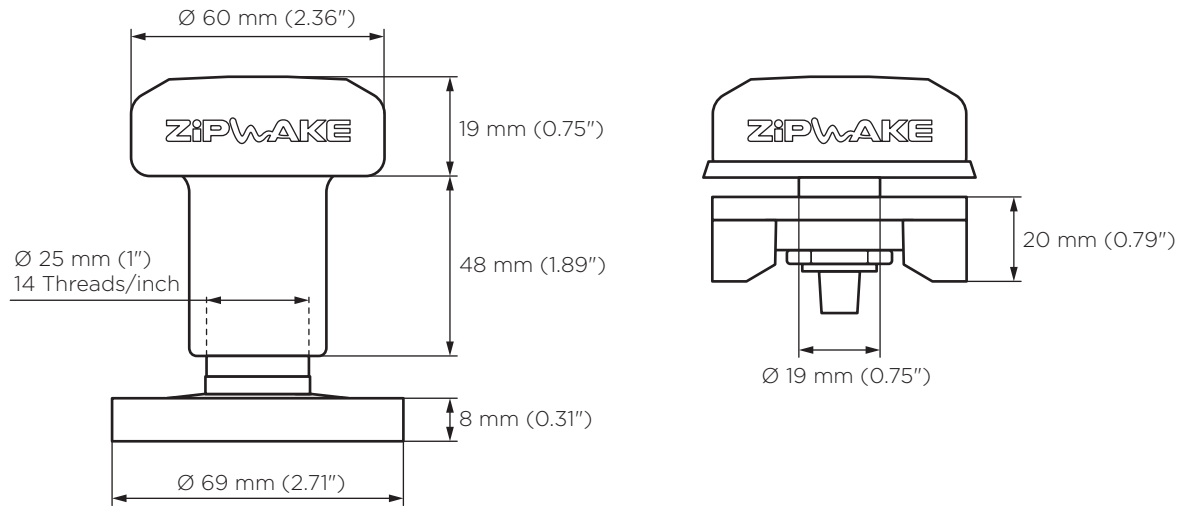
### 14.1 APPLICATION

The external GPS is optional and intended for use when no other strong GPS signal is available for the Zipwake system, e.g. when the vessel has just one helm station with a shielding top (canopy) and lacks other accessible GPS sources. In this case, the external GPS antenna is a good solution. Its 5 m cable can be extended up to 15 m using Zipwake extension cables. It connects easily to the connector marked EXT GPS on the back of the control panel. The external GPS can be connected to any control panel installed in the system.

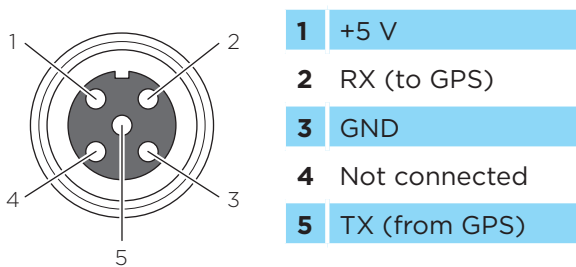
### 14.2 SPECIFICATIONS

<b>Model</b>	GPU
<b>Connectors</b>	M12 5-pin circular
<b>Cable material</b>	White PVC
<b>Cable length</b>	5 m (16 ft) extendable to max 15 m (49 ft)
<b>Supply voltage</b>	5 V DC $\pm$ 5%
<b>Power consumption</b>	0.28 W, 55 mA (average)
<b>Protocol</b>	NMEA 0183 / RS232
<b>NMEA sentences</b>	RMC, VTG, GGA, GSA, GSV, GLL
<b>Baud rate</b>	38400
<b>Update rate</b>	5 Hz
<b>Number of channels</b>	20
<b>Average time to first fix</b>	Hot start 6 s, Warm start 38 s, Cold start 42 s
<b>Operating temperature</b>	-30° to +85°C (-22° to +185°F)
<b>Storage temperature</b>	-40° to +95°C (-40° to +203°F)
<b>Waterproof rating</b>	IP67
<b>Compliance</b>	CE, FCC
<b>Weight</b>	0.065 kg (0.14 lbs) without cable and connector
<b>Mounting</b>	Flush or pole

### 14.3 DIMENSIONS



### 14.4 PIN OUT

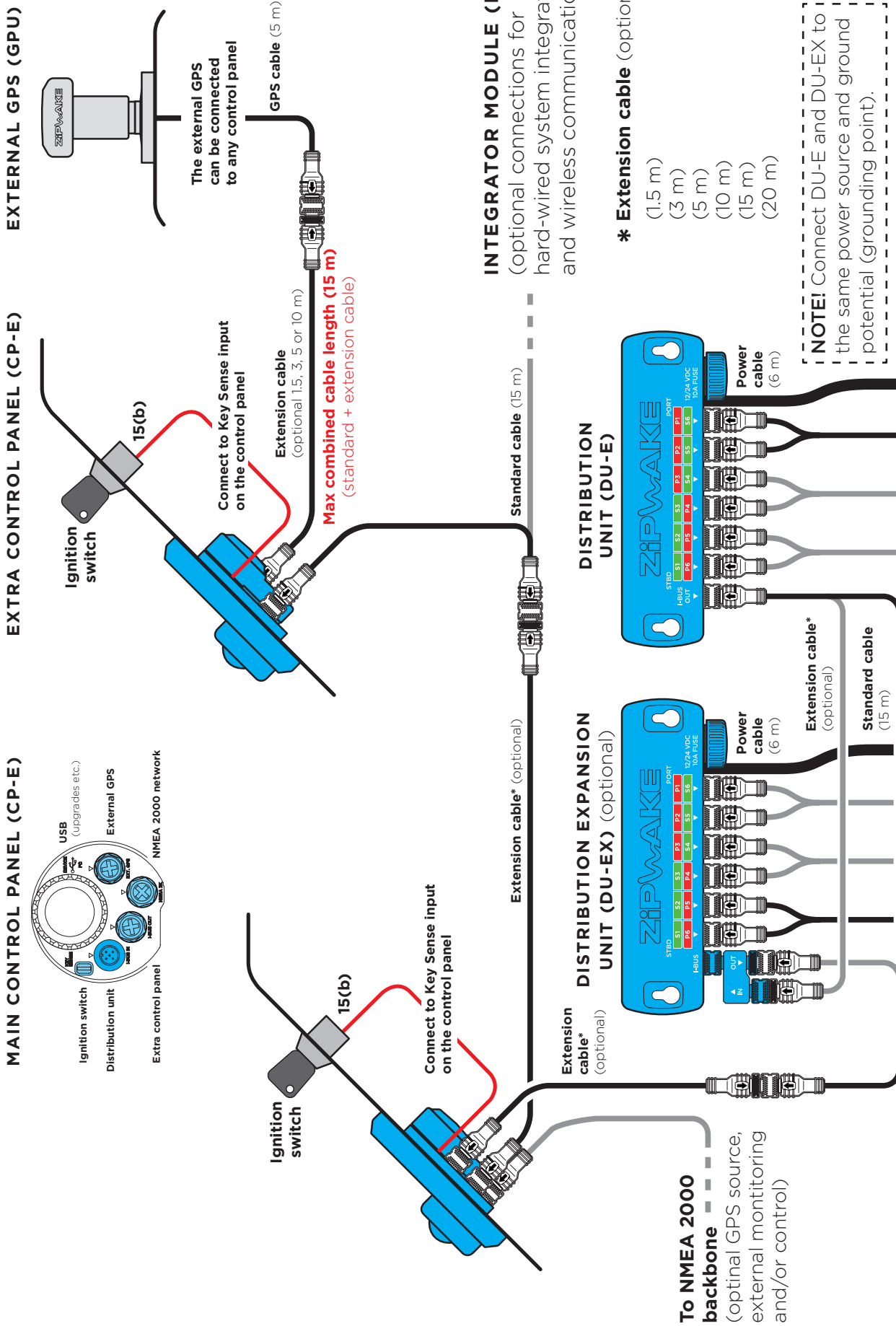


### 14.5 ORDERING DATA

<b>Model</b>	GPU
<b>Part No.</b>	2011240 with Cable 5 m and Mount Kit

- Available as an accessory
- Available as a spare part

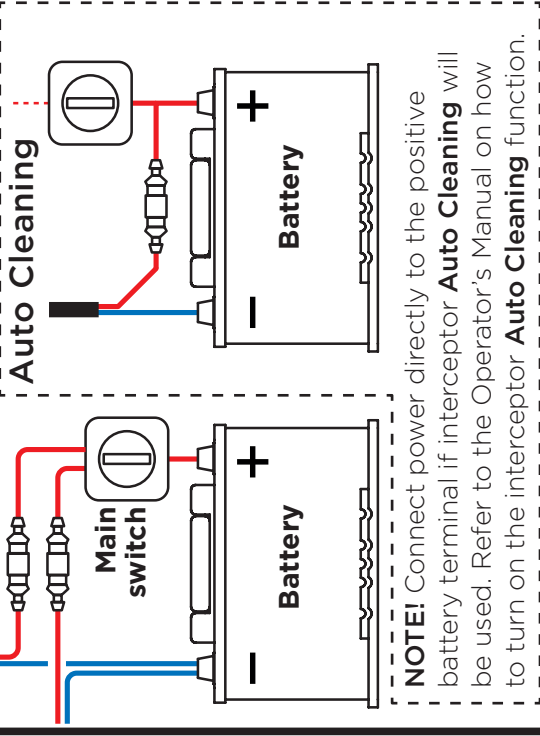
# 15 WIRING DIAGRAM





**POWER SUPPLY (12-32 V DC)**

**15A melting type fuse** NOTE! Do not use automatic thermal/magnetic fuse.



Up to six dual-servo interceptors or any mix with single-servo interceptors

**Optional:**  
Centerline mounted  
E interceptor  
DU-E: P3 & S3  
DU-E/EX: P5 & P6

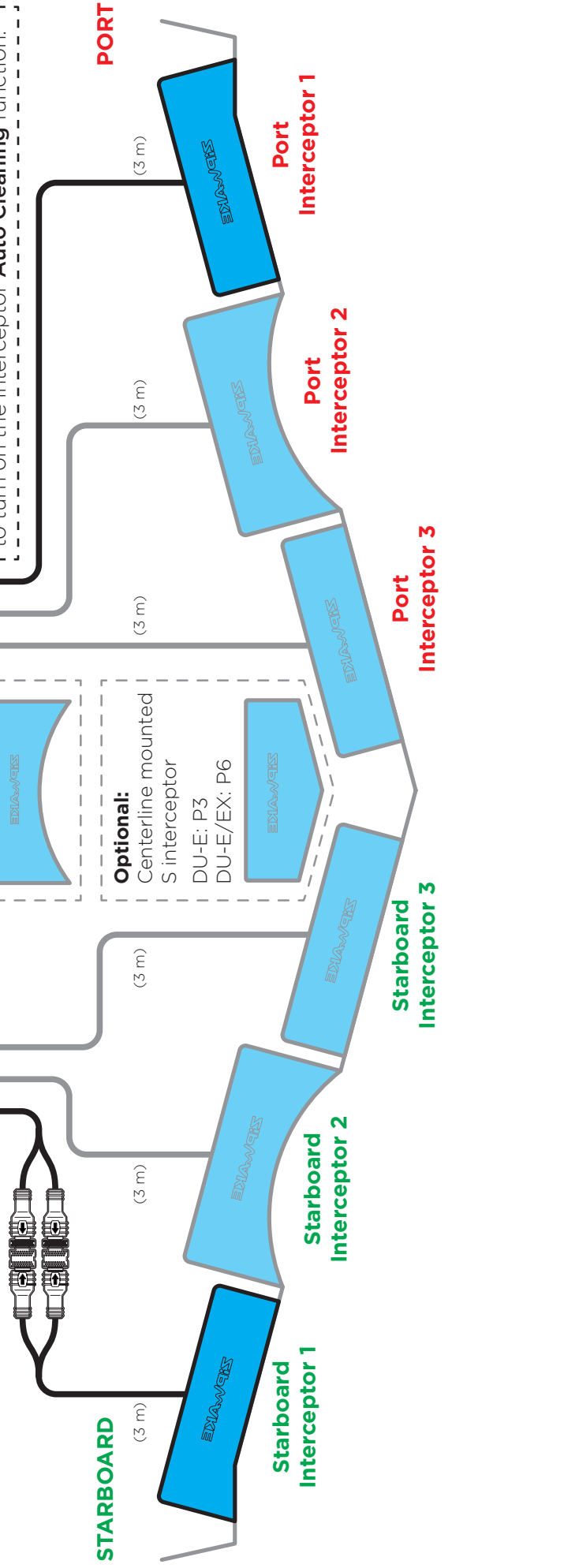


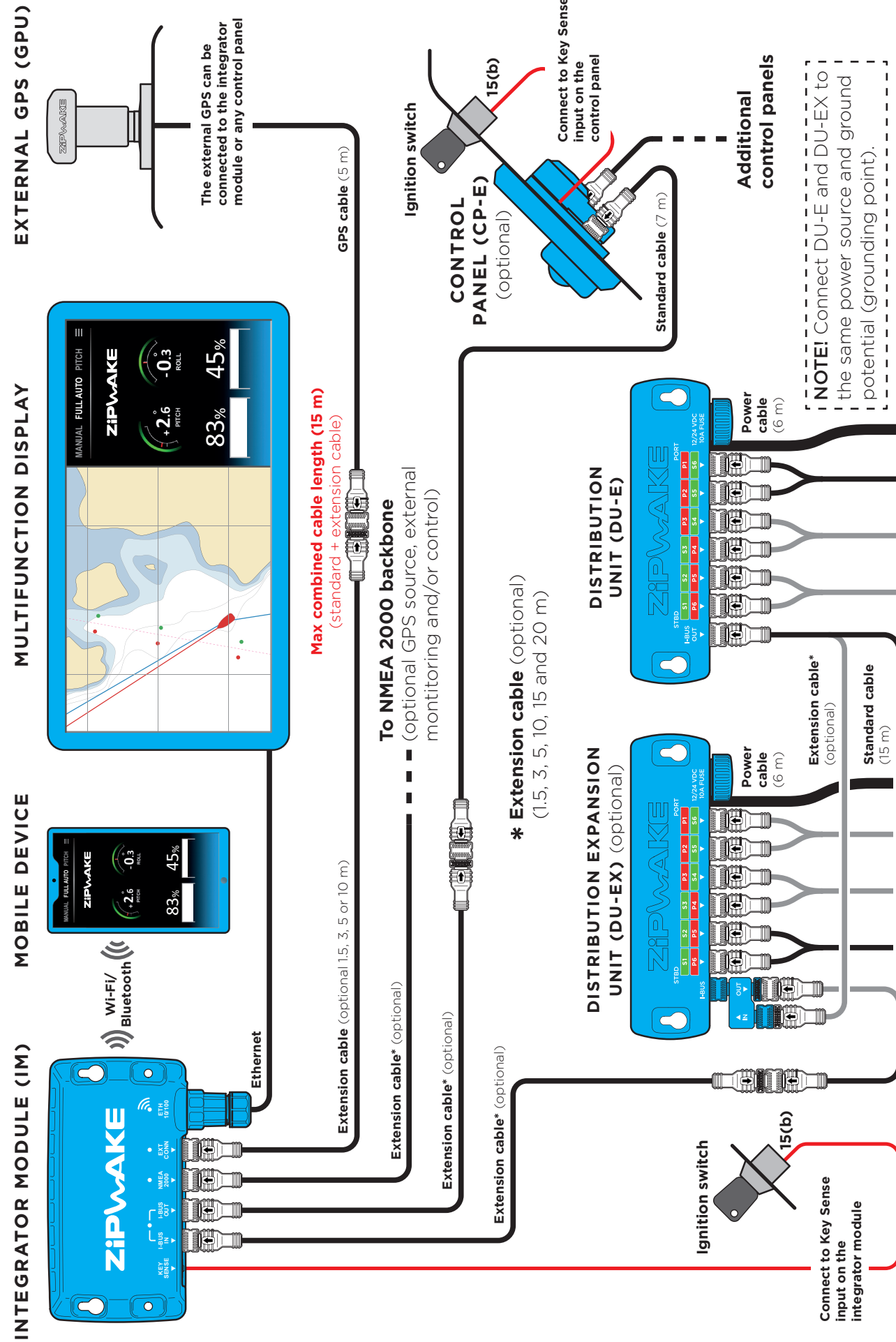
**Optional:**  
Centerline mounted  
S interceptor  
DU-E: P3  
DU-E/EX: P6



**NOTE!**  
**Transom inside view**

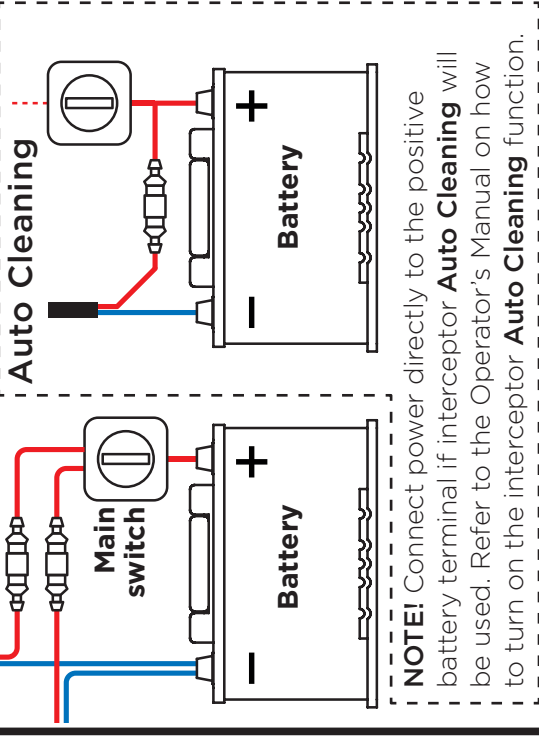
**Max combined cable length (6 m)**  
(standard + extension cable)  
**Extension cable**  
(optional 1.5 or 3 m)





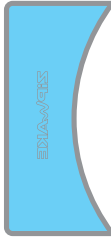
**POWER SUPPLY (12-32 V DC)**

**15A melting type fuse** NOTE! Do not use automatic thermal/magnetic fuse.



Up to six dual-servo interceptors or any mix with single-servo interceptors

**Optional:**  
Centerline mounted  
E interceptor  
DU-E: P3 & S3  
DU-E/EX: P5 & P6



**Optional:**  
Centerline mounted  
S interceptor  
DU-E: P3  
DU-E/EX: P6



**NOTE!**  
**Transom inside view**

**Max combined cable length (6 m)**  
(standard + extension cable)

**Extension cable**  
(optional 1.5 or 3 m)

