

# INSTALLATION GUIDE

## DYNAMIC TRIM CONTROL SYSTEM

### SERIES E

# TOOLS

**Drill bits**  
 Ø 2.5 mm (3/32")  
 Ø 3 mm (1/8")  
 Ø 4 mm (5/32")  
 Ø 5 mm (3/16")  
 Ø 6.5 mm (1/4")



**Hole saw**  
 Ø 19 mm (3/4")  
 Ø 76 mm (3")



**Screw bits**  
 T10 T30  
 T20 T40  
 T25



**Power drill**



**Sealant**



**Flat screwdriver**



**Bits screwdriver**



**Wrench**

13 mm (33/64")  
 27 mm (1 1/16")



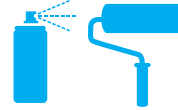
**Utility knife**



**Hacksaw**

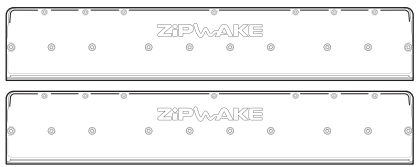


**Antifouling**



## THE KIT BOX CONTAINS

### INTERCEPTOR



2 x Interceptors  
 with Cable 3 m & Cable Cover

### DISTRIBUTION UNIT



1 x Distribution Unit  
 with Power Cable 6 m

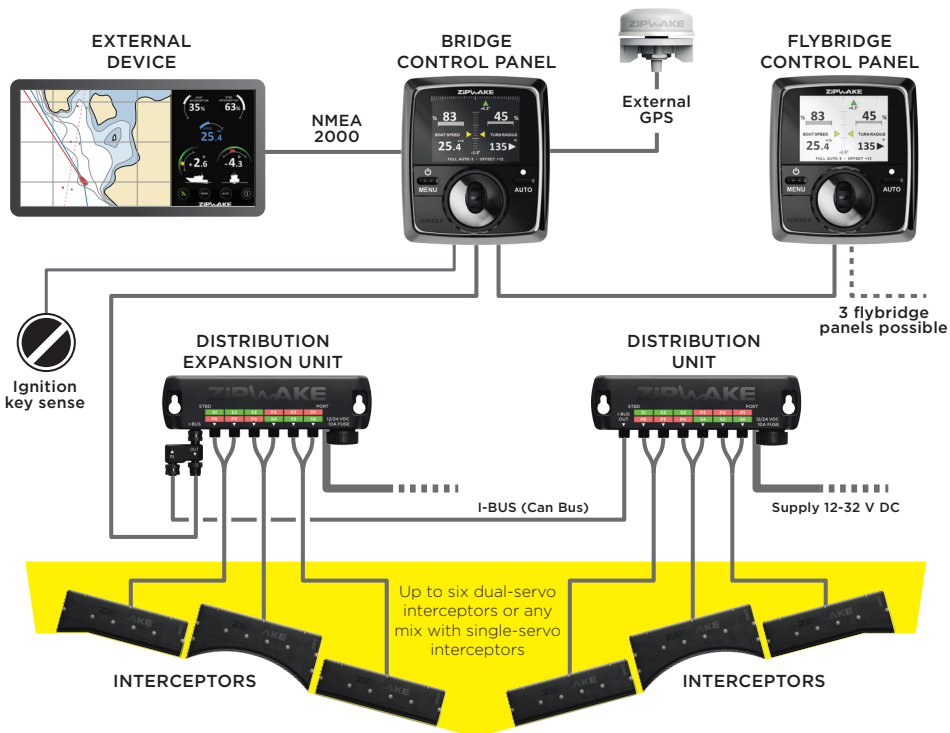
### CONTROL PANEL



1 x Control Panel  
 with Standard Cable 15 m

- + Operator's Manual
- + Warranty Card
- + Installation Guide
- + Drill Templates
- + Mounting Screws
- + Operator's Quick Guide
- + Startup Checklist

## SYSTEM OVERVIEW

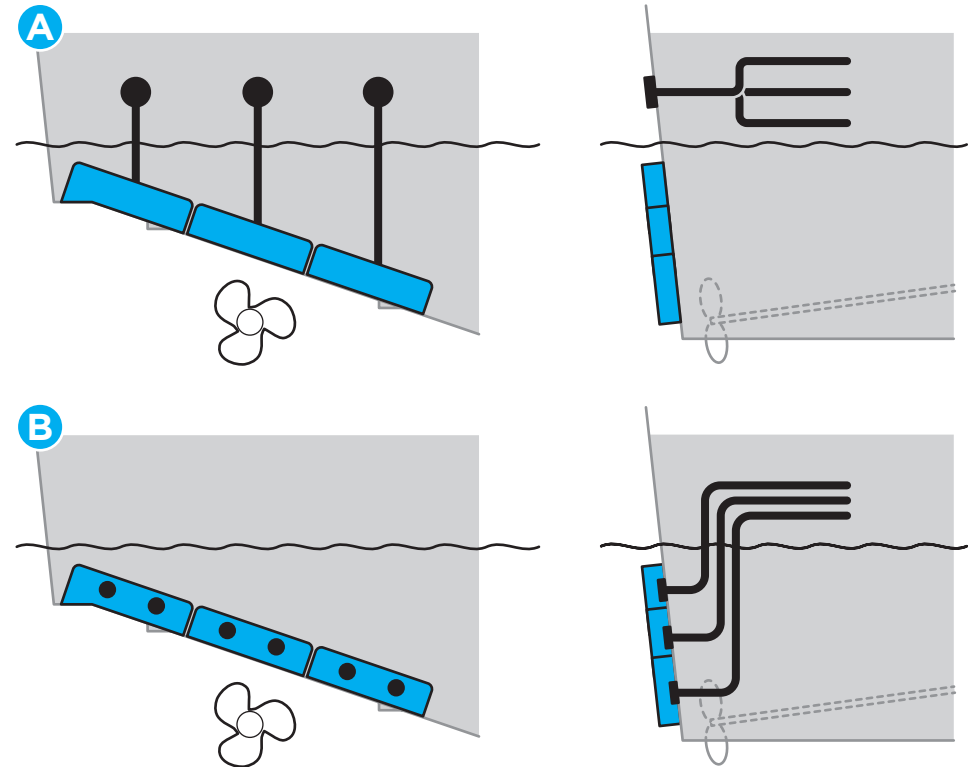


# INTERCEPTOR

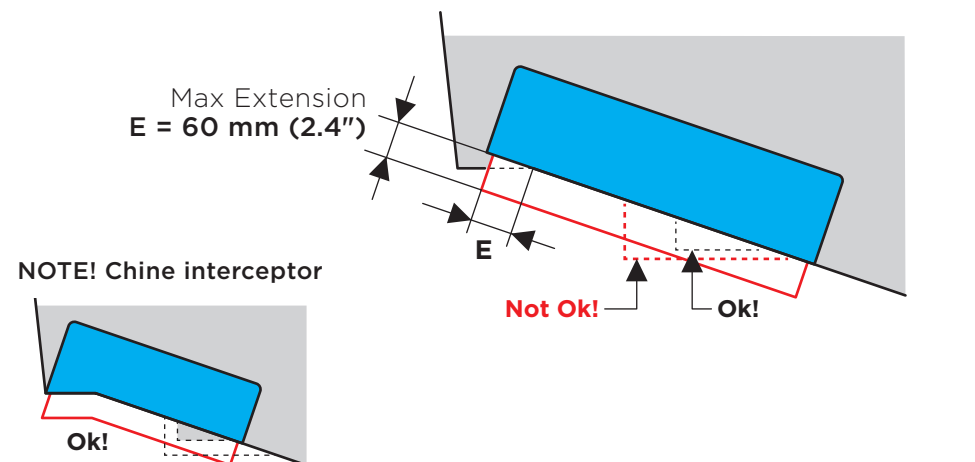
## 1 MOUNTING OPTIONS

### THRU-HULL CABLE FITTINGS

Depending on preference, the interceptors can be mounted with thru-hull cable fittings above the waterline (A) or below, concealed behind the interceptors (B).



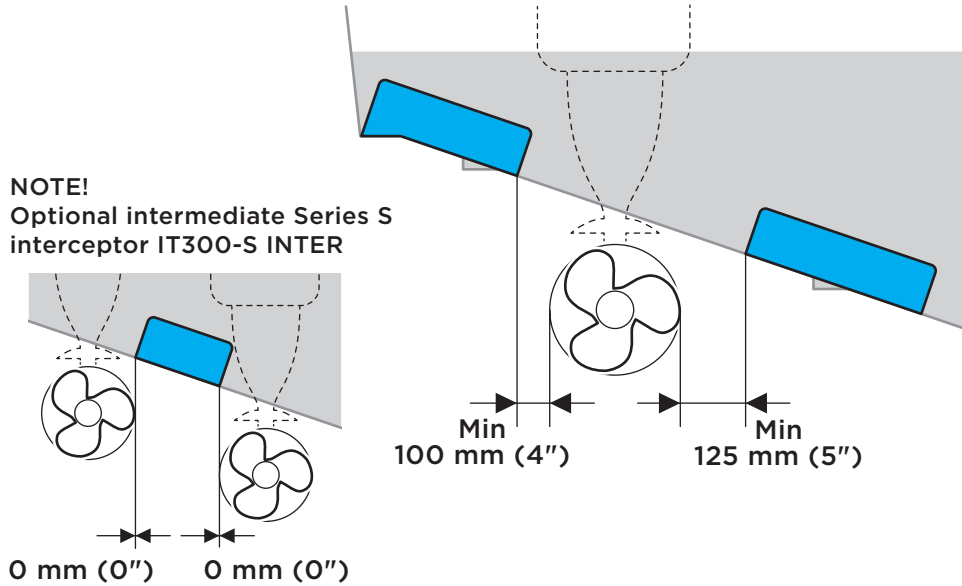
### ALLOWED SPRAY RAIL OVERLAP



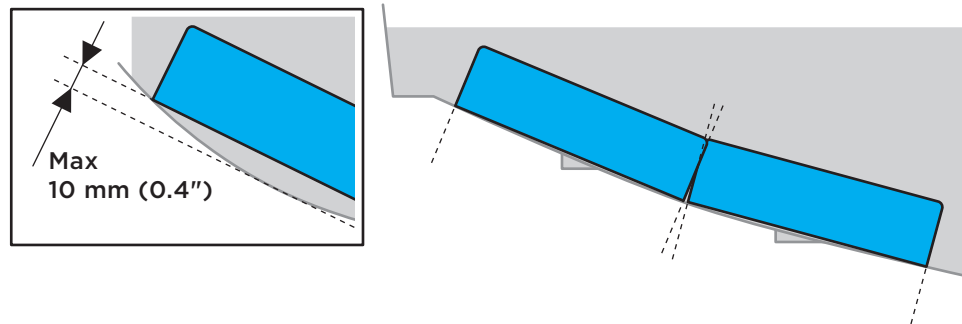
# INTERCEPTOR

## PROPELLER CLEARANCE

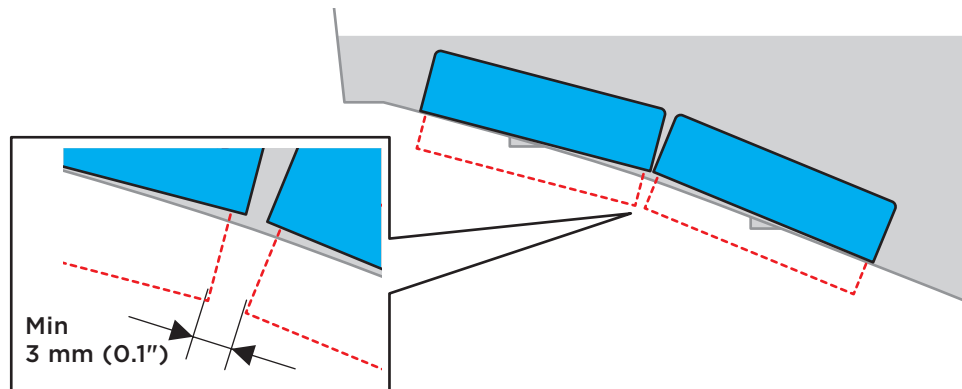
If the boat has an outboard engine or sterndrive, the interceptors must be mounted with clearance to the propeller(s).



## CONVEX BOTTOM CURVATURE



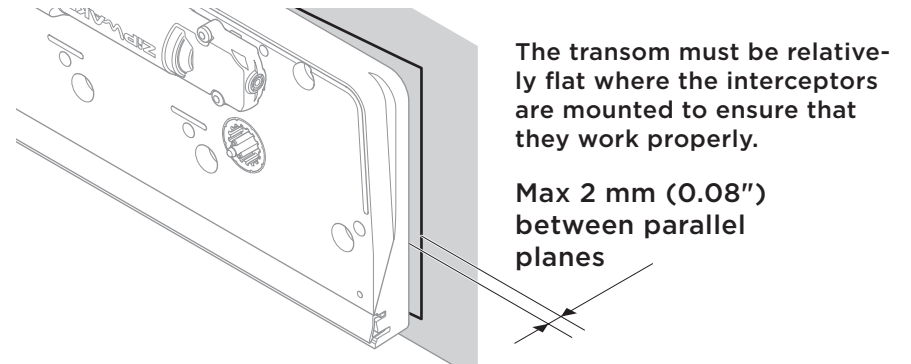
## CONCAVE BOTTOM CURVATURE



# INTERCEPTOR

## 2 PREPARE THE TRANSOM

### ENSURE A FLAT SURFACE FOR EACH INTERCEPTOR



### DRILLING TEMPLATE

Start mounting the interceptors as far outward as possible, although well inside the transom. Continue inwards when installing multiple interceptors.

**Convex bottom:** Place two straightedges under the bottom parallel to the boat's centerline. When placed on the straight-edges and pressed against the transom, the template will have the right position. Fix the template on the transom with tape.

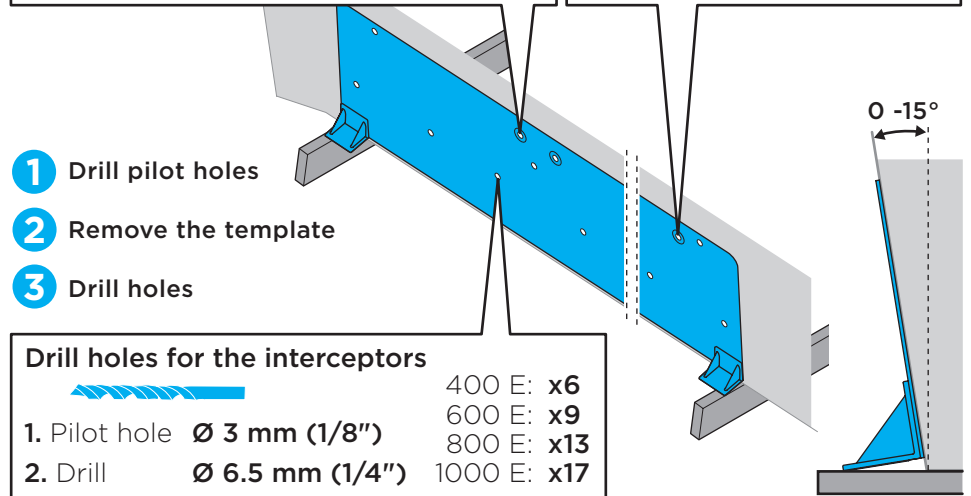
**Concave bottom:** Place one straightedge at the interceptor center and use one end of the template to find its right center position.

**NOTE! Only if a concealed thru-hull fitting will be used**

Option 1:	Option 2 (threaded hole):
1. Pilot hole $\varnothing$ 3 mm (1/8")	1. Pilot hole $\varnothing$ 3 mm (1/8")
2. Hole saw $\varnothing$ 19 mm (3/4")	2. Hole saw $\varnothing$ 16 mm (5/8")
	3. Tap M18 x 2.5

IT600/800/1000-E are dual-servo interceptors (2 holes)

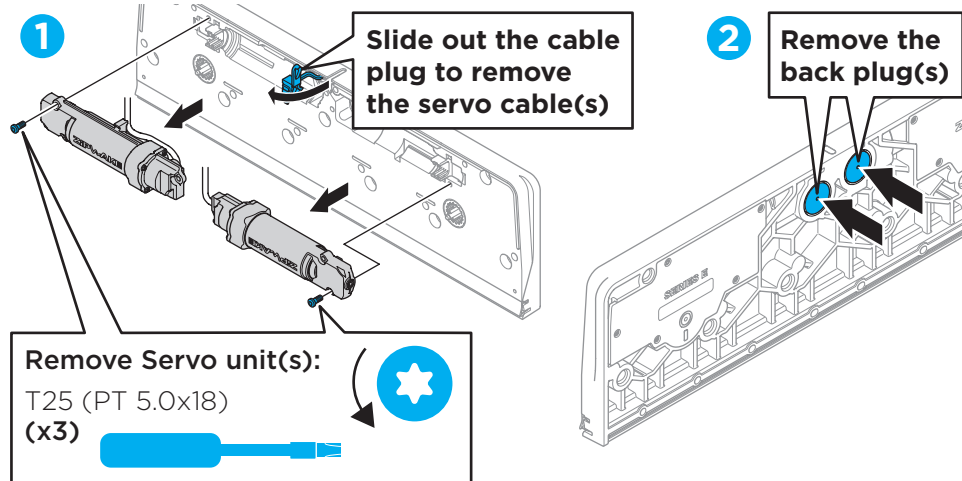
IT400-E is a single-servo interceptor (1 hole)



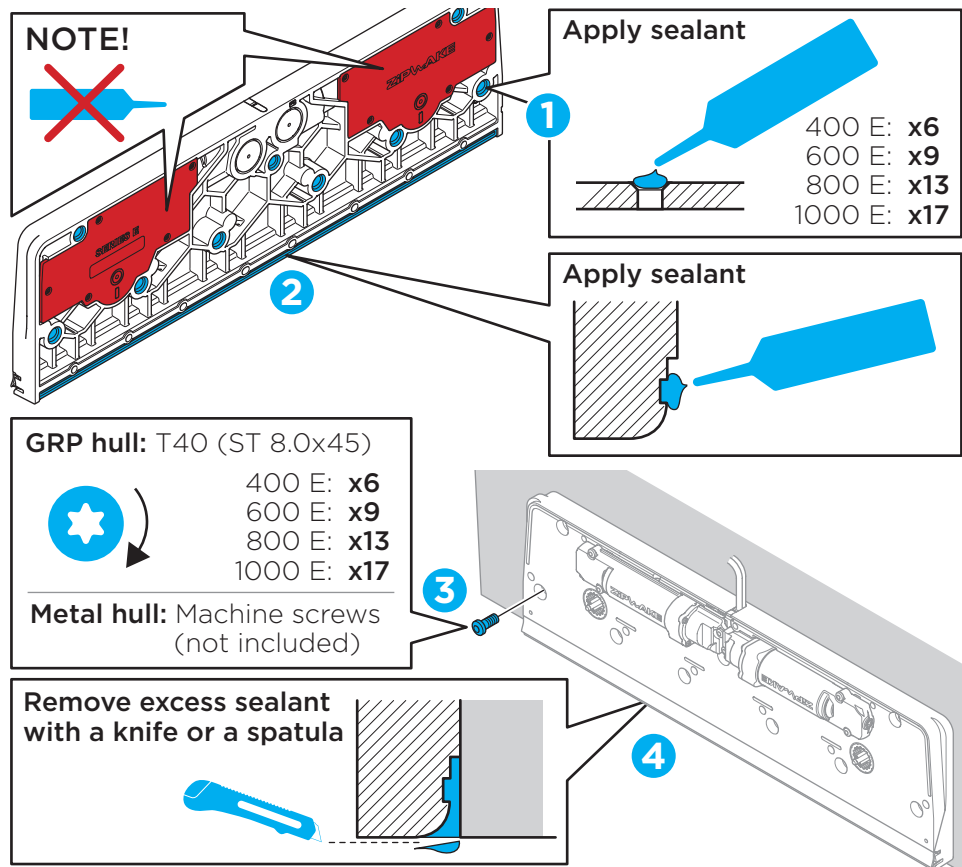
# INTERCEPTOR

## 3 INSTALL THE BACK PLATES

A. FOR THRU-HULL FITTINGS ABOVE THE WATERLINE GO STRAIGHT TO STEP B.

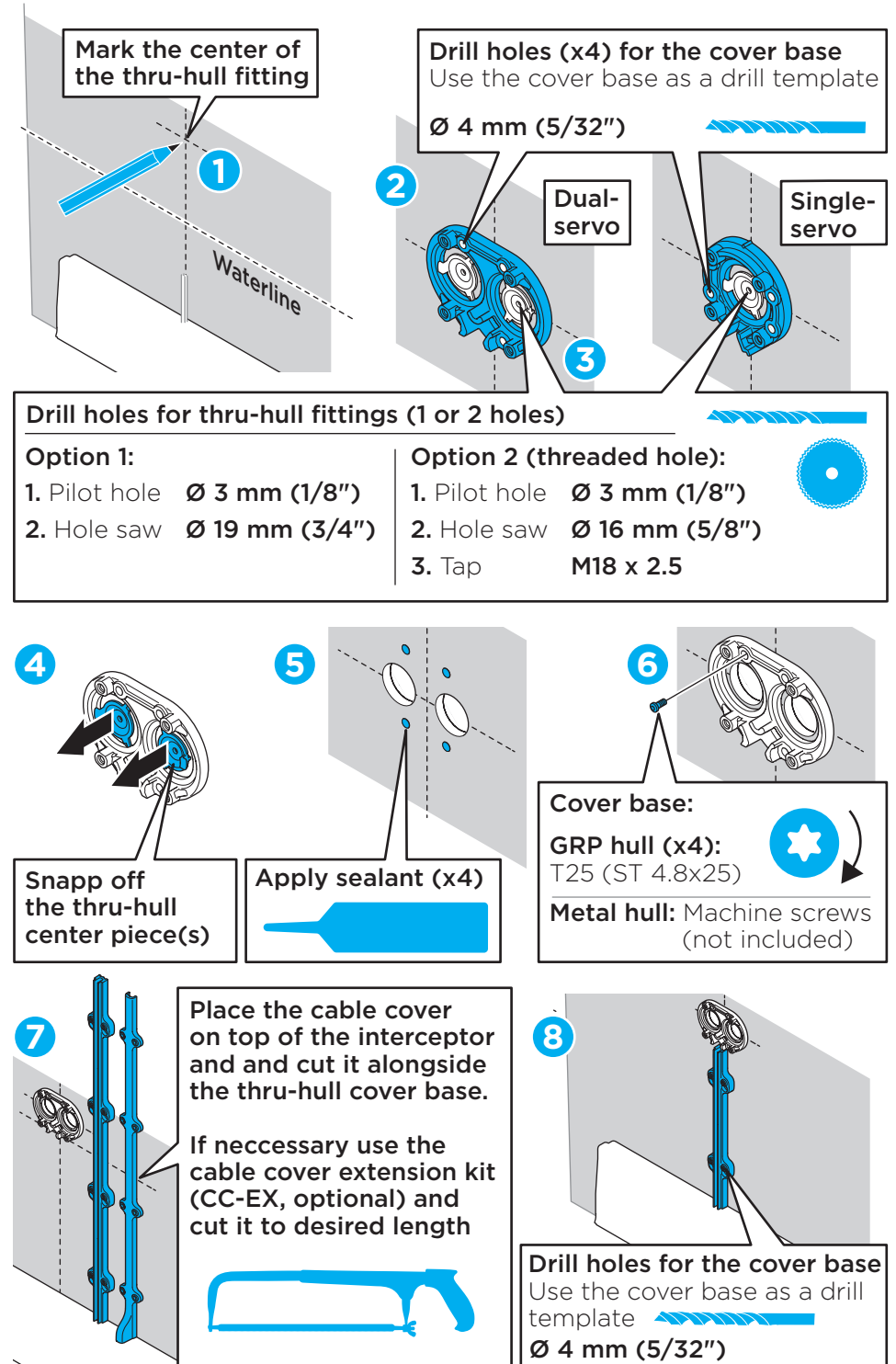


## B. MOUNT THE BACK PLATE

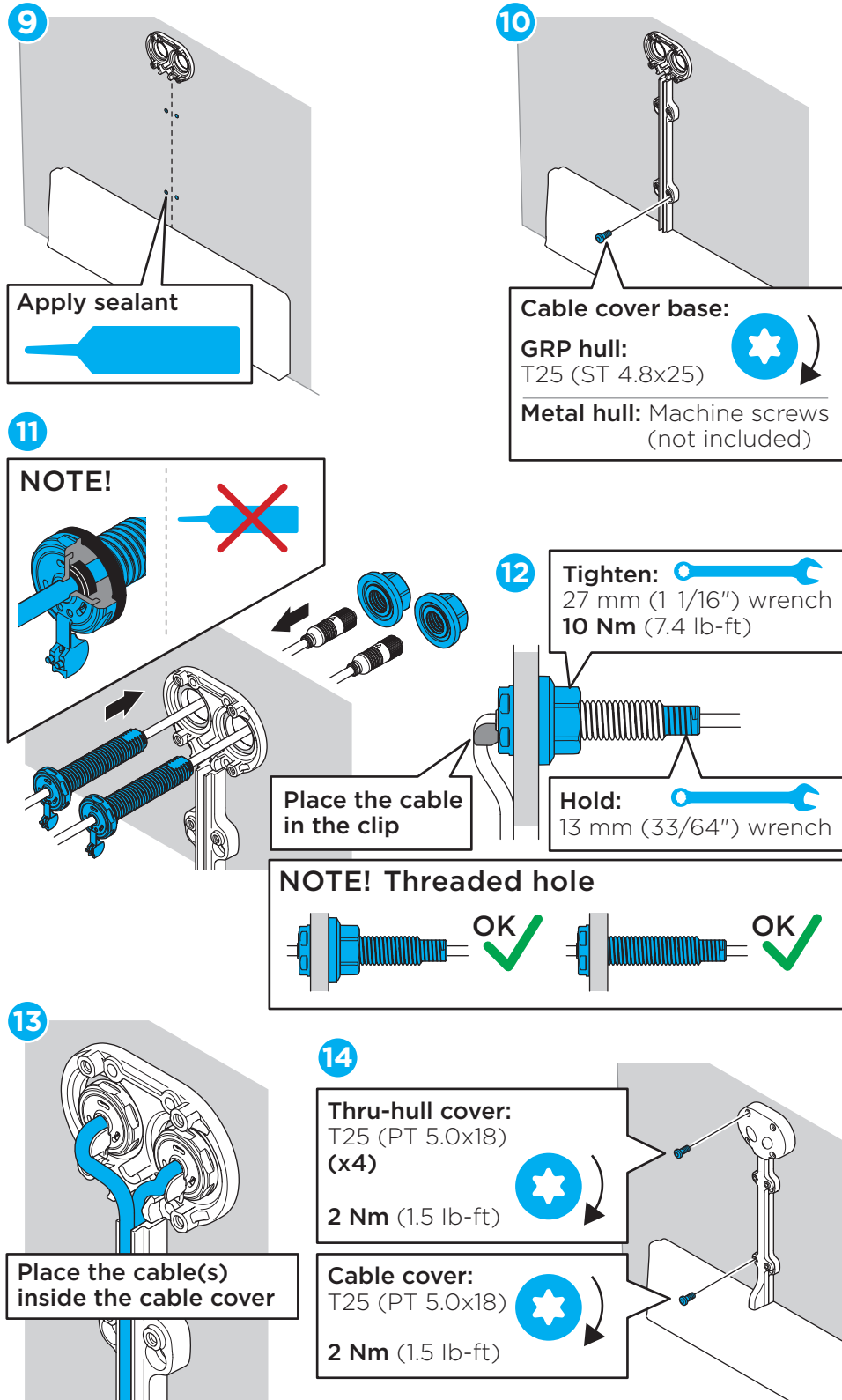


# INTERCEPTOR

## 4A INSTALL THRU-HULL FITTINGS ABOVE THE WATERLINE

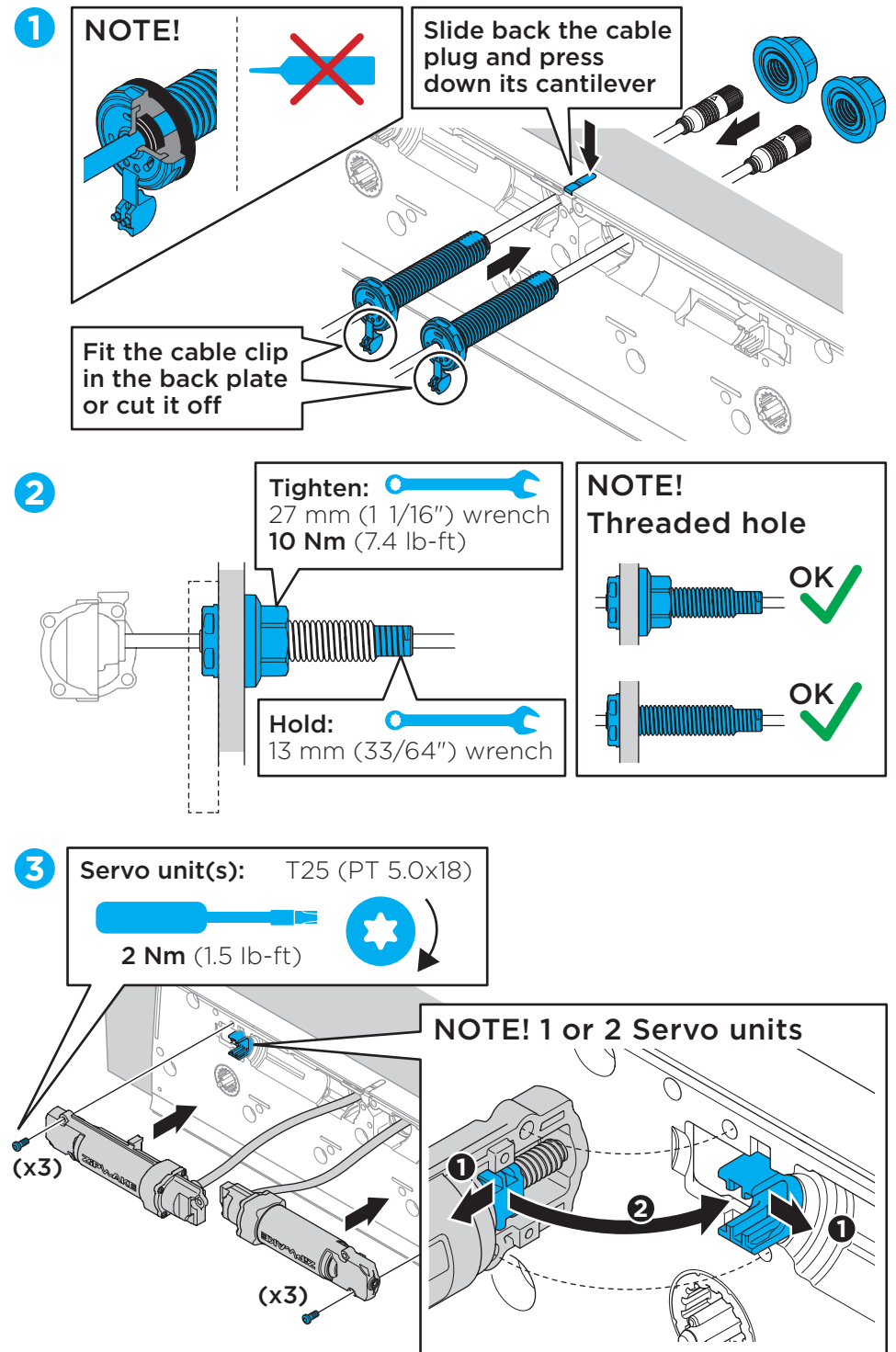


# INTERCEPTOR



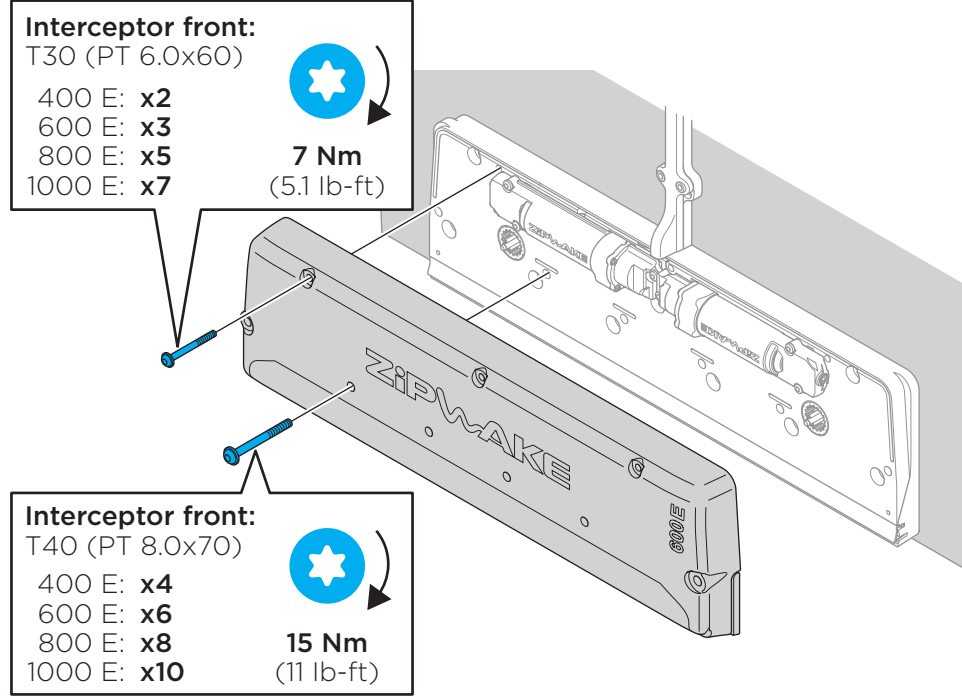
# INTERCEPTOR

## 4B INSTALL CONCEALED THRU-HULL FITTINGS UNDER THE WATERLINE

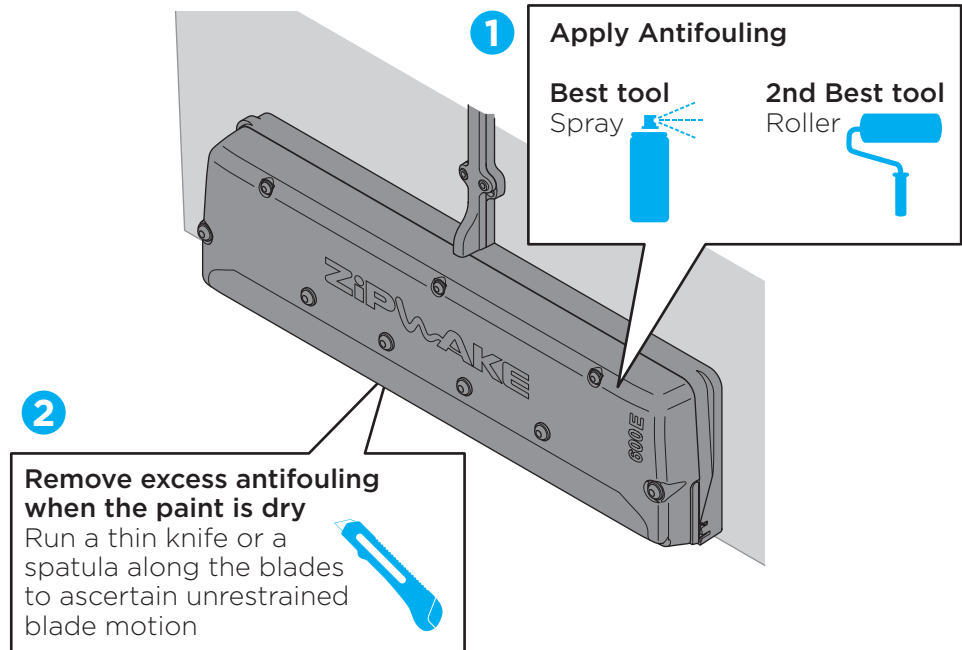


# INTERCEPTOR

## 5 INSTALL THE INTERCEPTOR FRONTS



## 6 PAINT THE INTERCEPTORS WITH ANTI FOULING



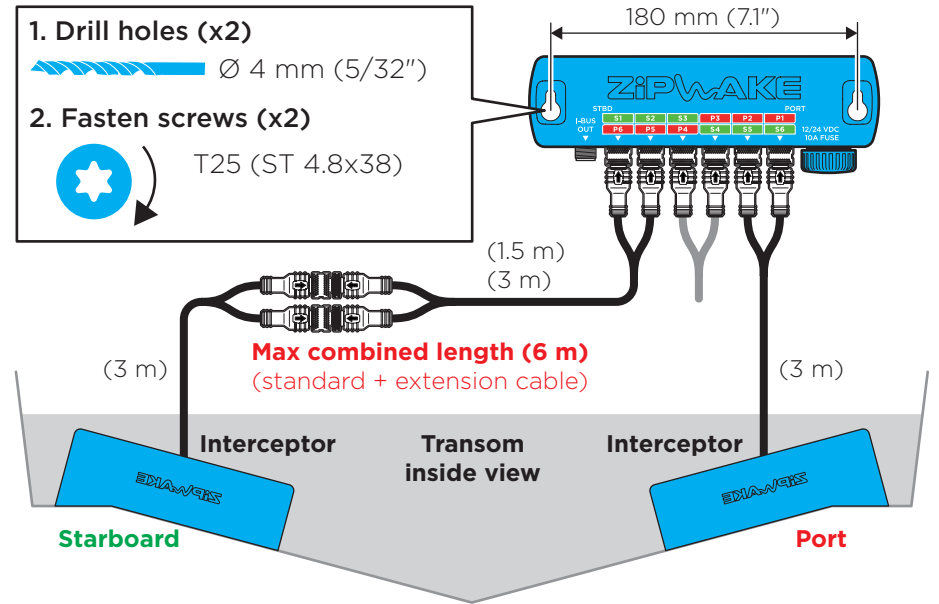
# DISTRIBUTION UNIT

## 1 MOUNT THE DISTRIBUTION UNIT

Mount the distribution unit inboard where it is easy to connect it to both interceptors and power supply (battery) e.g. the engine room or other suitable compartment.

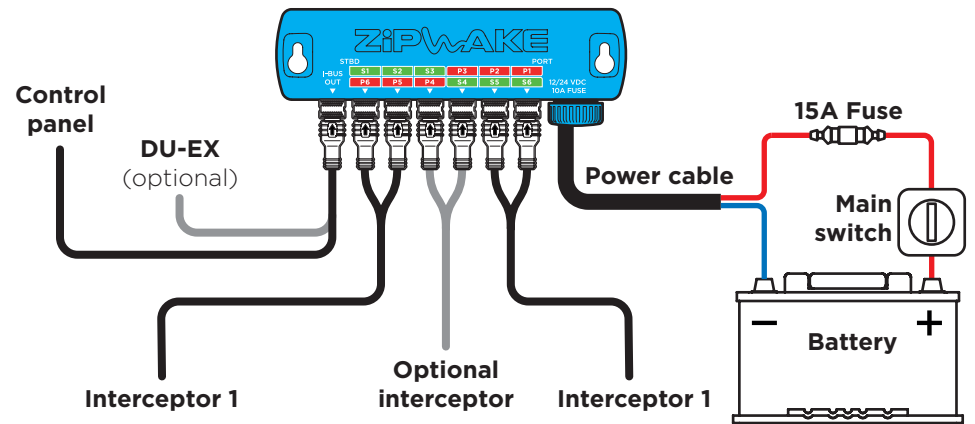
**NOTE!**

The maximum cable length (including extra cable) from an interceptor to the distribution unit is 6 m (20 ft).



## 2 CONNECT THE DISTRIBUTION UNIT

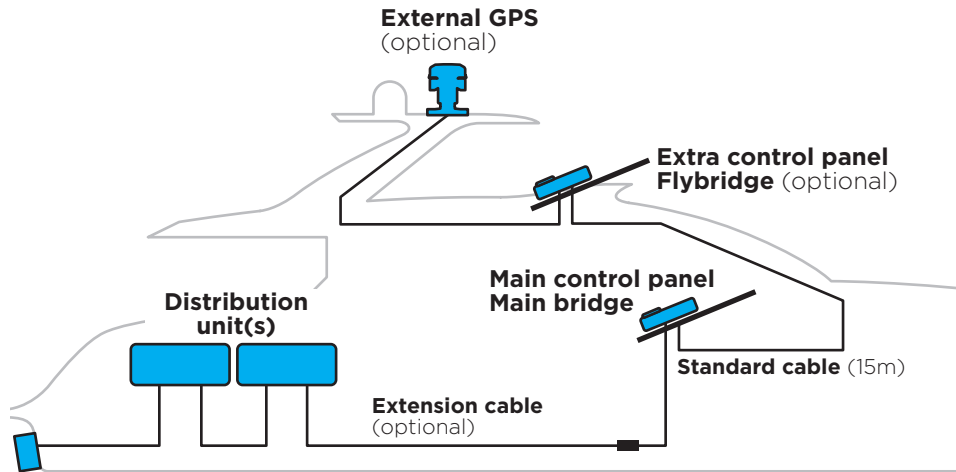
NOTE! Detailed wiring diagram is available at the end of this folder.



# CONTROL PANEL

## 1 ROUTE CABLES

Route the cables between the control panel(s), the distribution unit(s) and optional equipment. Use optional extension cables if necessary. A detailed wiring diagram is available on the other side of this folder.

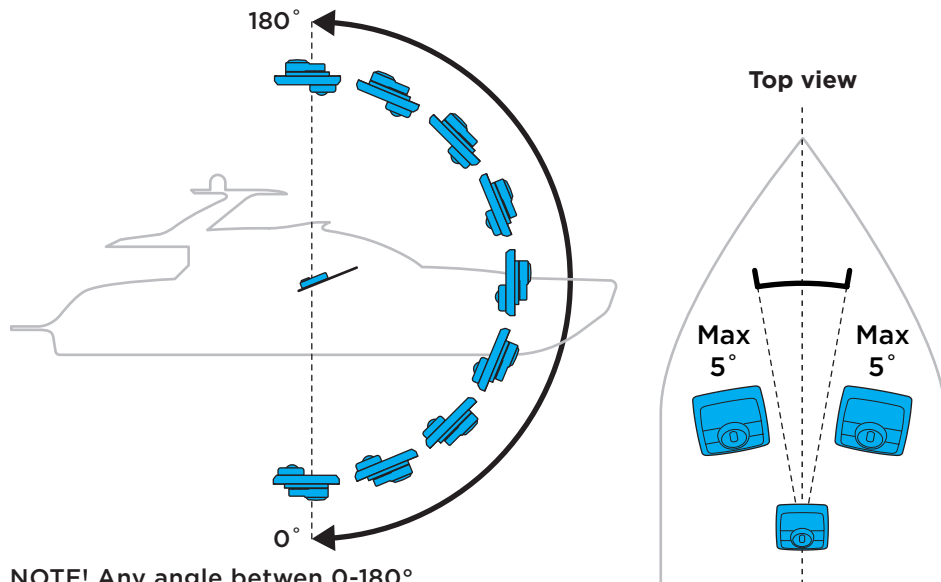


## 2 PREPARE THE DASH

The control panel must be mounted within certain angles relative to the boat's axes for the built-in sensors to deliver reliable output.

Locate a free area on the dash suitable for mounting the control panel. Use the control panel's template as a guide to see if it will fit next to other instruments.

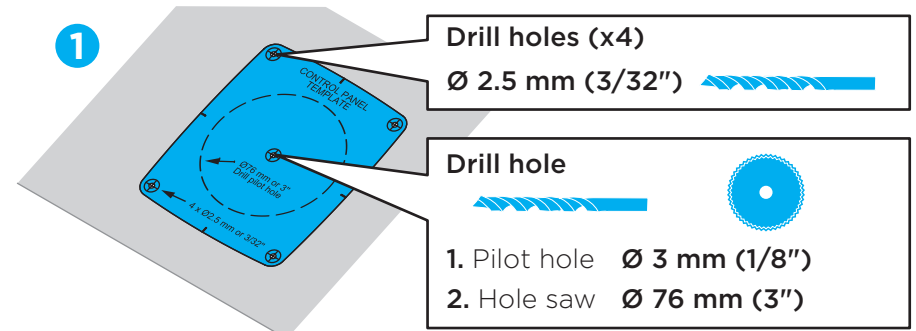
NOTE! 0.5 m (1.6 ft) safe distance to magnetic compass.



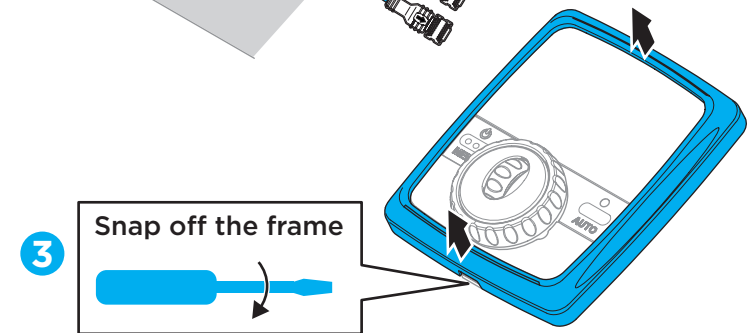
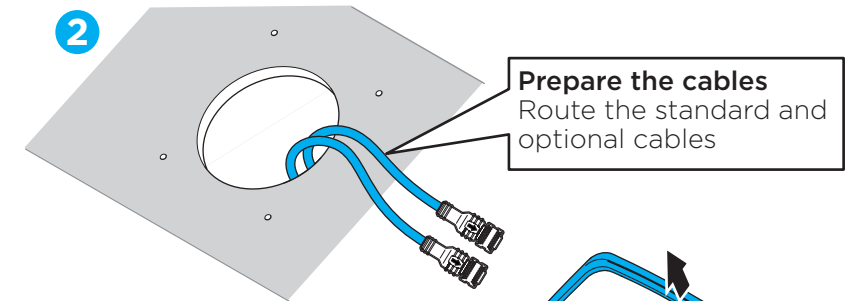
NOTE! Any angle between 0-180°

# CONTROL PANEL

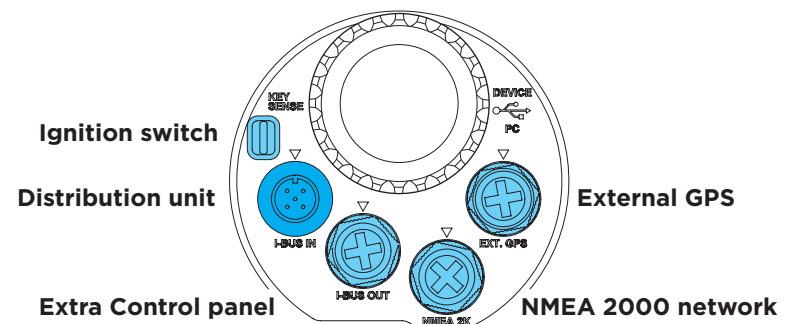
## 3 MOUNT THE CONTROL PANEL



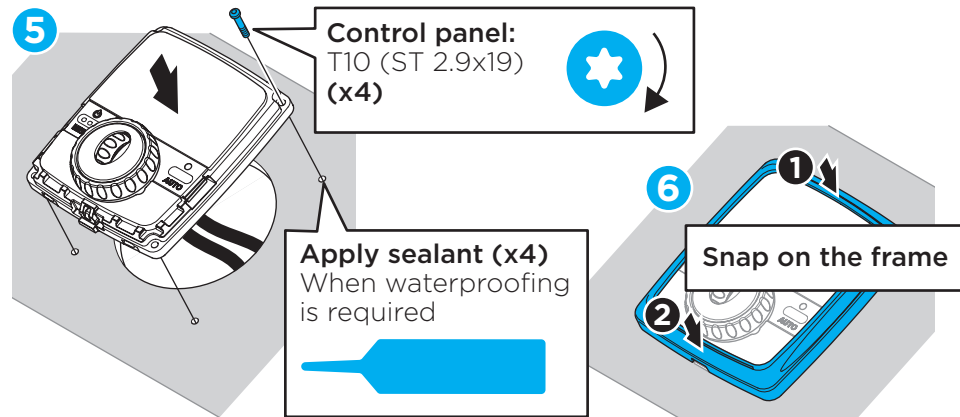
Flush mount option: refer to [www.zipwake.com](http://www.zipwake.com) for a drawing and 3D model.



**4** Connect the cables on the back of the Control panel.



# CONTROL PANEL

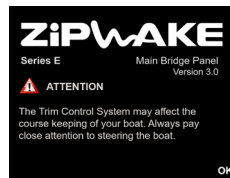


## 4 INITIAL START

Refer to the Operator's Manual for detailed information about setting up and operating the system.

### SET UP THE SYSTEM

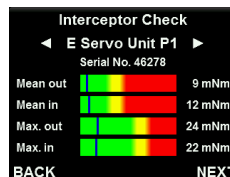
Press and hold the POWER/MENU button until the Zipwake logo appears on the display and follow the steps on the screen.



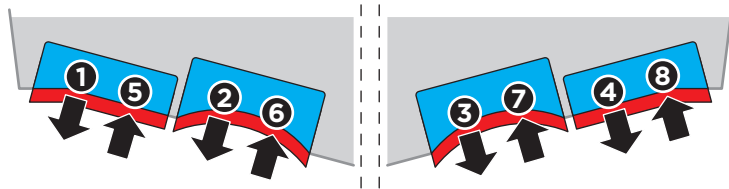
### INTERCEPTOR CHECK

Carry out an Interceptor Check to verify function immediately after installation and before launching the boat. Repeat this before every launch.

**NOTE!** Interceptor Check will not start if no interceptor configuration has been saved to the system (refer to the Operator's Manual).



The check repeats a 5 stroke sequence, where each interceptor blade is extended, one by one, from port to starboard and then retracted in the same order. Visually confirm that the interceptors move accordingly during the check. This confirms that the interceptors are correctly connected to the distribution unit(s).



#### All readings must be green!

Corrective action is always necessary when excessive torque levels are observed. The root cause is usually the flatness of the transom behind the interceptor and/or excess antifouling between its blades.

#### IMPORTANT

Always use the controls to move the interceptor blades. Never try to force the interceptor blades by hand.

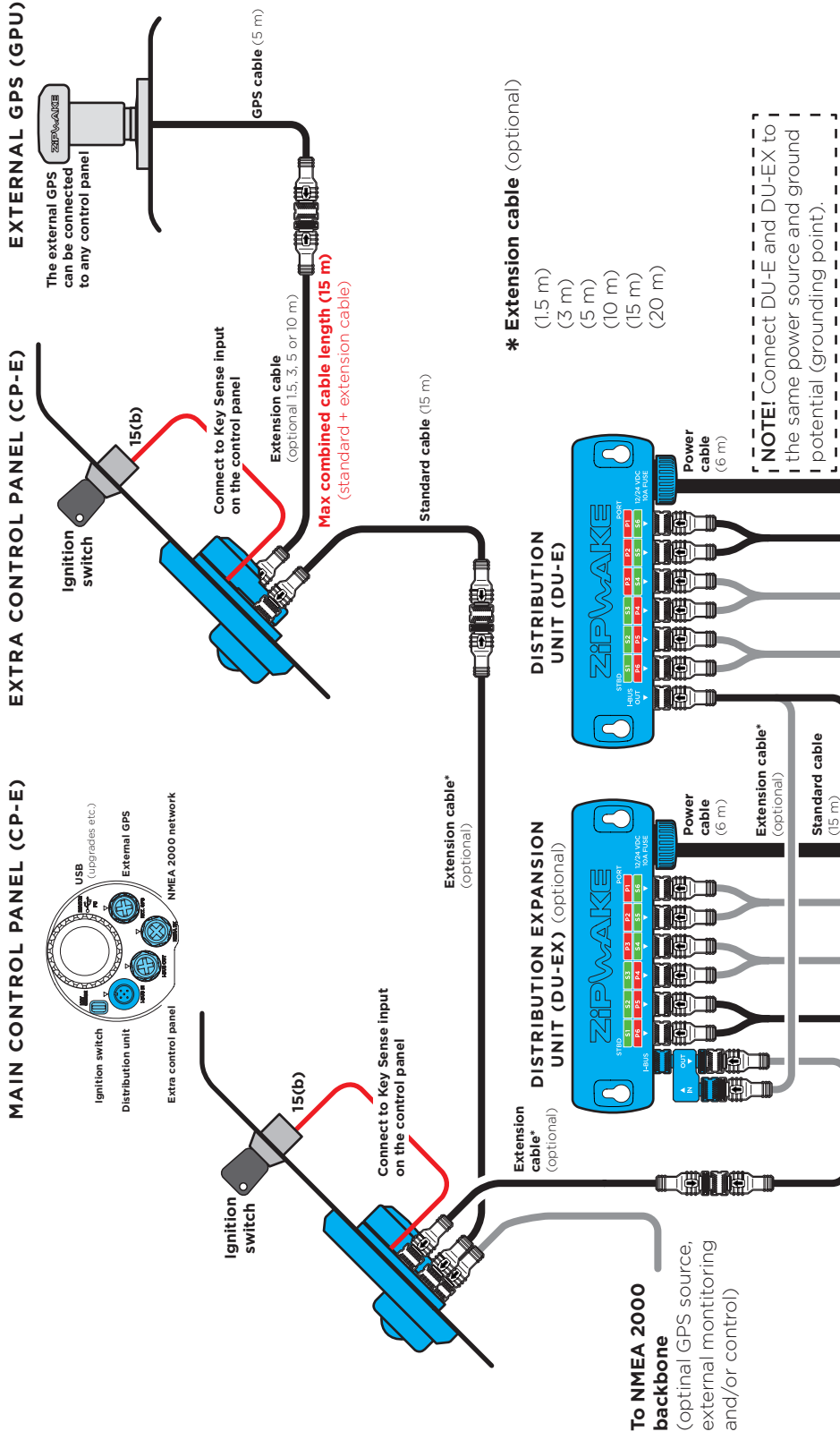
# WIRING DIAGRAM

## ACCESSORIES

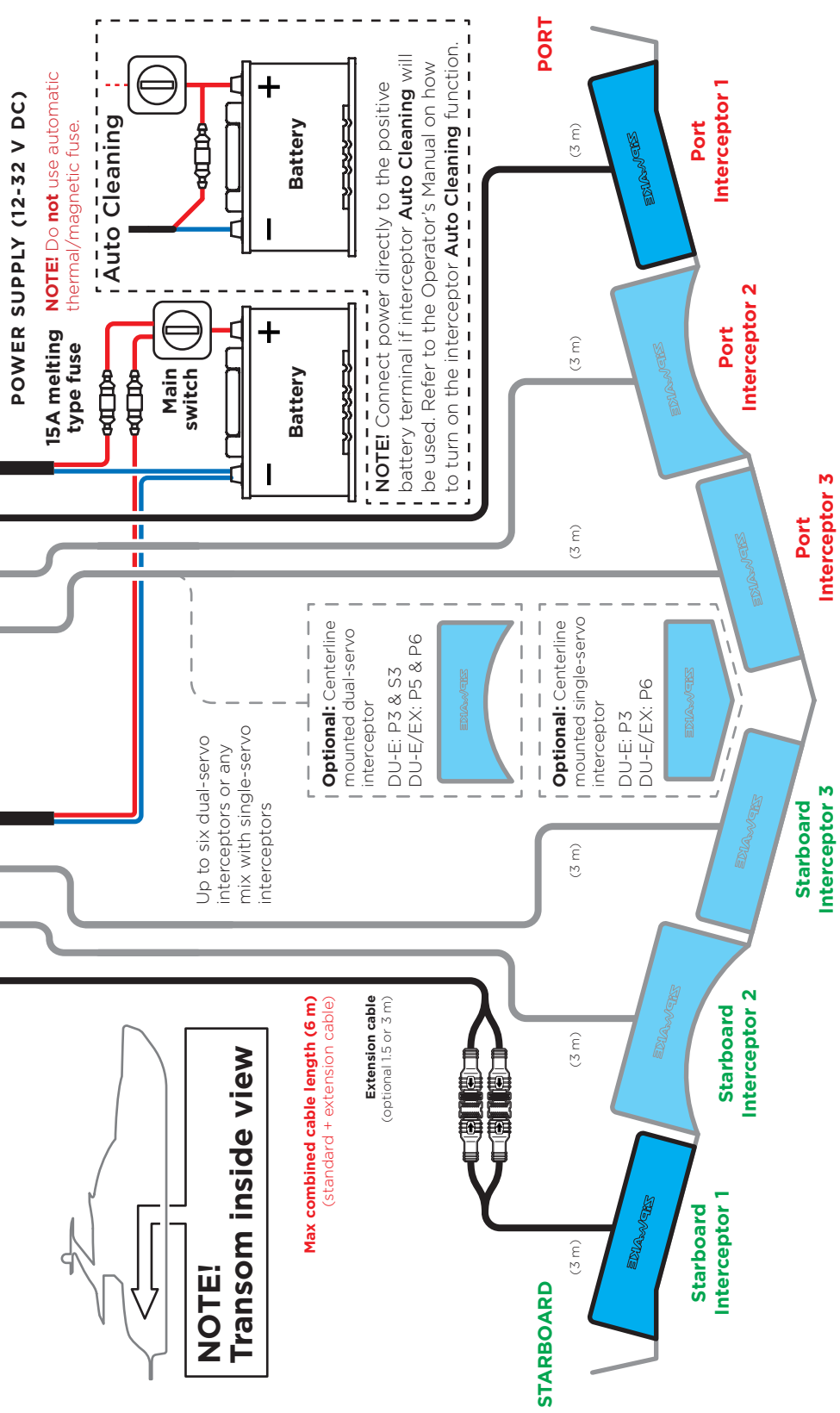
Model	Part No.	Description
CP-E	2012032	CONTROL PANEL E WITH STANDARD CABLE 15 M
DU-E	2012033	DISTRIBUTION UNIT E WITH POWER CABLE 6 M
DU-EX	2012034	DISTRIBUTION EXPANSION UNIT E WITH POWER CABLE 6 M
IT400-E	2012215	INTERCEPTOR 400 E WITH CABLE 3 M & CABLE COVER
IT600-E	2012018	INTERCEPTOR 600 E WITH CABLE 3 M & CABLE COVER
IT800-E	2012019	INTERCEPTOR 800 E WITH CABLE 3 M & CABLE COVER
IT1000-E	2012020	INTERCEPTOR 1000 E WITH CABLE 3 M & CABLE COVER
IT600-E TUNNEL R500	2012021	INTERCEPTOR 600 E TUNNEL R500 WITH CABLE 3 M & CABLE COVER
IT600-E TUNNEL R600	2012022	INTERCEPTOR 600 E TUNNEL R600 WITH CABLE 3 M & CABLE COVER
IT600-E TUNNEL R800	2012023	INTERCEPTOR 600 E TUNNEL R800 WITH CABLE 3 M & CABLE COVER
IT400-E CHINE PORT	2012216	INTERCEPTOR 400 E CHINE PORT SIDE WITH CABLE 3 M & CABLE COVER
IT400-E CHINE STBD	2012217	INTERCEPTOR 400 E CHINE STARBOARD SIDE WITH CABLE 3 M & CABLE COVER
IT600-E CHINE PORT	2012024	INTERCEPTOR 600 E CHINE PORT SIDE WITH CABLE 3 M & CABLE COVER
IT600-E CHINE STBD	2012025	INTERCEPTOR 600 E CHINE STARBOARD SIDE WITH CABLE 3 M & CABLE COVER
EC1.5-M12	2011258	M12 EXTENSION CABLE 1.5 M
EC3-M12	2011259	M12 EXTENSION CABLE 3 M
EC5-M12	2011260	M12 EXTENSION CABLE 5 M
EC10-M12	2011261	M12 EXTENSION CABLE 10 M
EC15-M12	2012038	M12 EXTENSION CABLE 15 M
EC20-M12	2012039	M12 EXTENSION CABLE 20 M
SC15-M12	2012037	M12 STANDARD CABLE 15 M
CP ALU FRAME	2011281	CONTROL PANEL ALU FRAME
CP COVER	2011381-2011385	CONTROL PANEL COVER WHITE, LIGHT GRAY, MID GRAY, DARK GRAY, BLACK
CC-EX	2012036	CABLE COVER EXTENSION E KIT
GPU	2011240	GLOBAL POSITIONING UNIT WITH CABLE 5 M & MOUNT KIT
GB	2011622	GIMBAL BRACKET FOR CONTROL PANEL



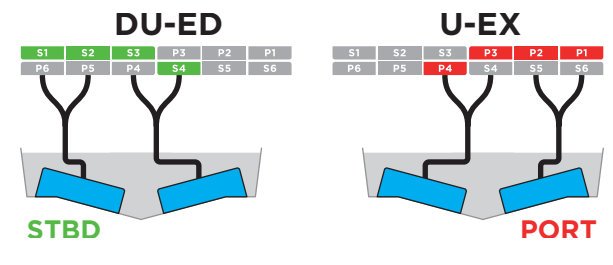
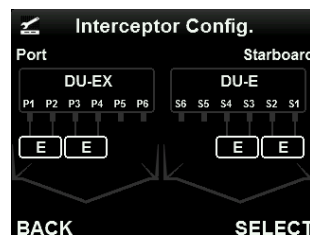
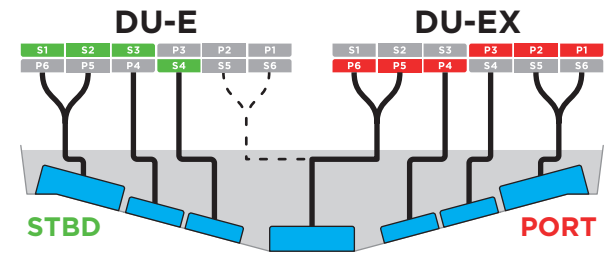
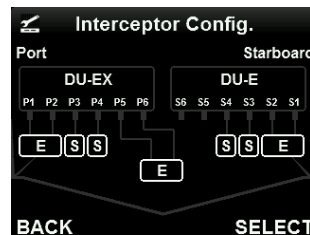
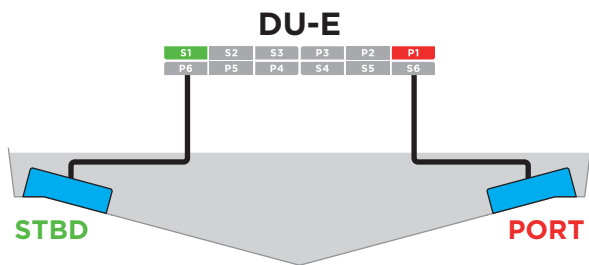
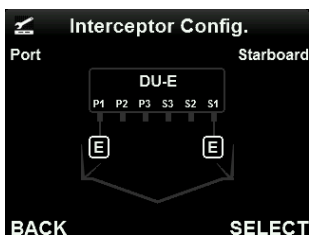
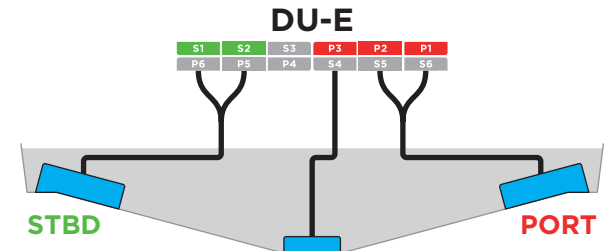
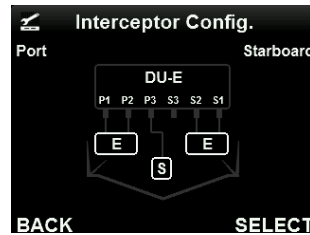
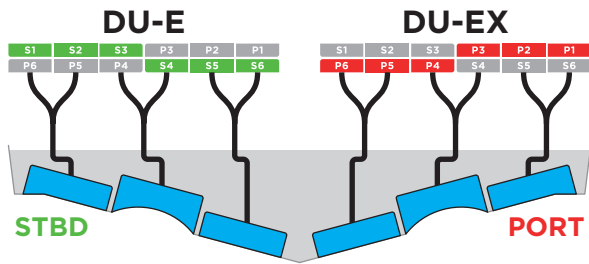
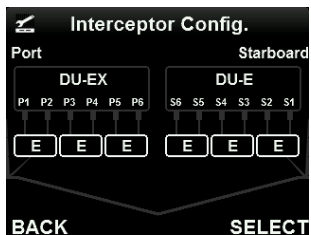
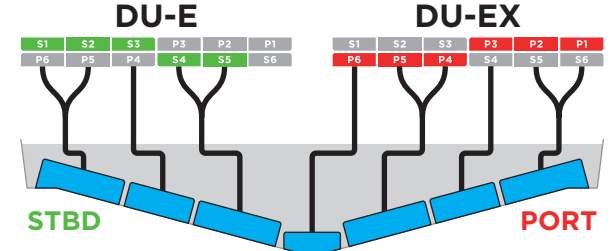
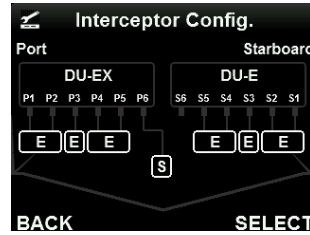
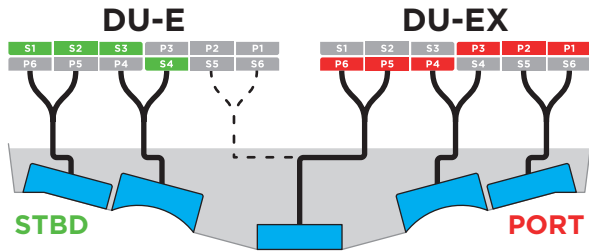
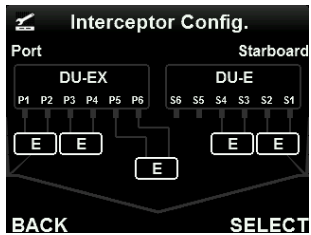
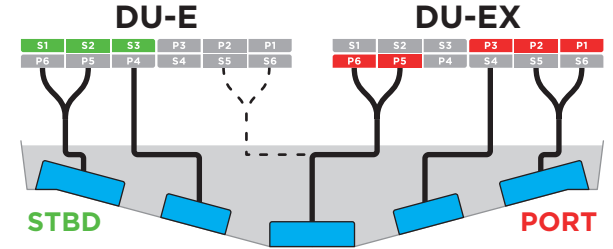
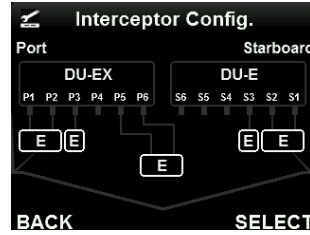
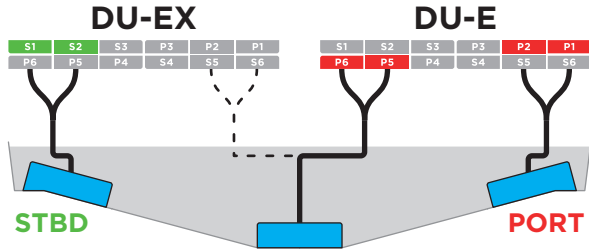
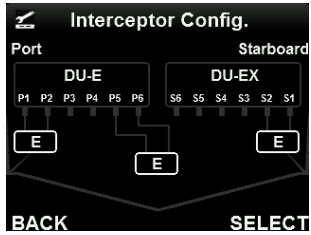
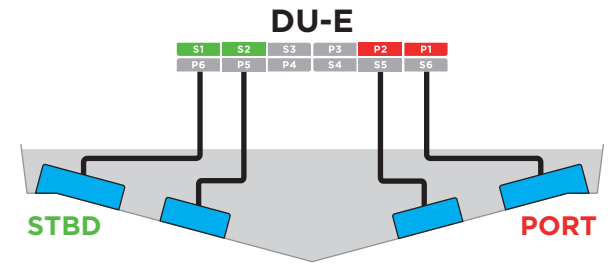
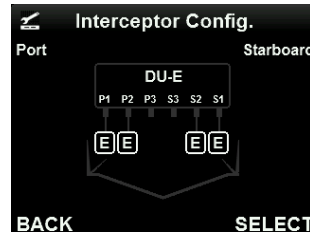
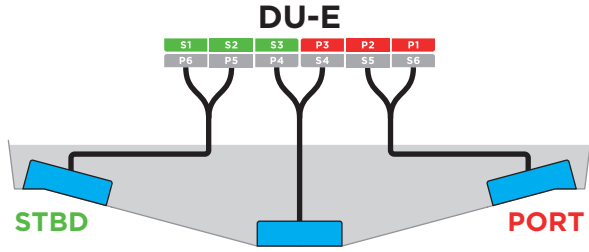
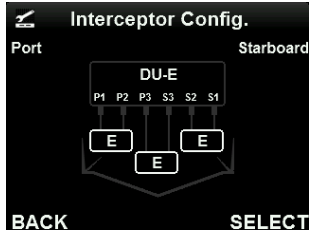
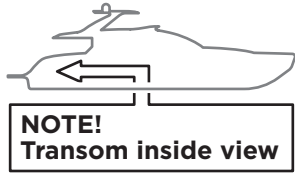
# WIRING DIAGRAM



# WIRING DIAGRAM



# DU/INTERCEPTOR CONFIGURATIONS



Visit [www.zipwake.com](http://www.zipwake.com) for additional information such as:

- Operator's Manual and Installation Guide in different languages
- Product specifications, including a list of accessories and spare parts
- Application examples and interceptor mounting options
- Drawings and 3D models of system components
- Software upgrades for your Dynamic Trim Control System
- Programming Manual for external control application development

**ZIPWAKE**

CHOOSE COMFORT. ENJOY PERFORMANCE.